

UMENT AND THE INFORMATION IT
HAVE BEEN FURNISHED FOR USE
BY YOUR OWN ORGANIZATION ONLY AND
NOT FOR REPRODUCTION OR FOR ANY
OTHER PURPOSE WITHOUT THE WRITTEN
CONSENT OF KANSAS CITY DEAERATOR
CO., LAND PARK, KANSAS 66209

NO. DATE

NO.	DATE	DESCRIPTION OF CHANGE
-	-	-
-	-	-
-	-	-

DESCRIPTION OF CHANGE

BY	
----	--

CLIENT:

KANSAS CITY DEAERATOR CO.
6731 W. 121st STREET
OVERLAND PARK, KANSAS 66209
(913) 338-2111 FAX (913) 338-2144

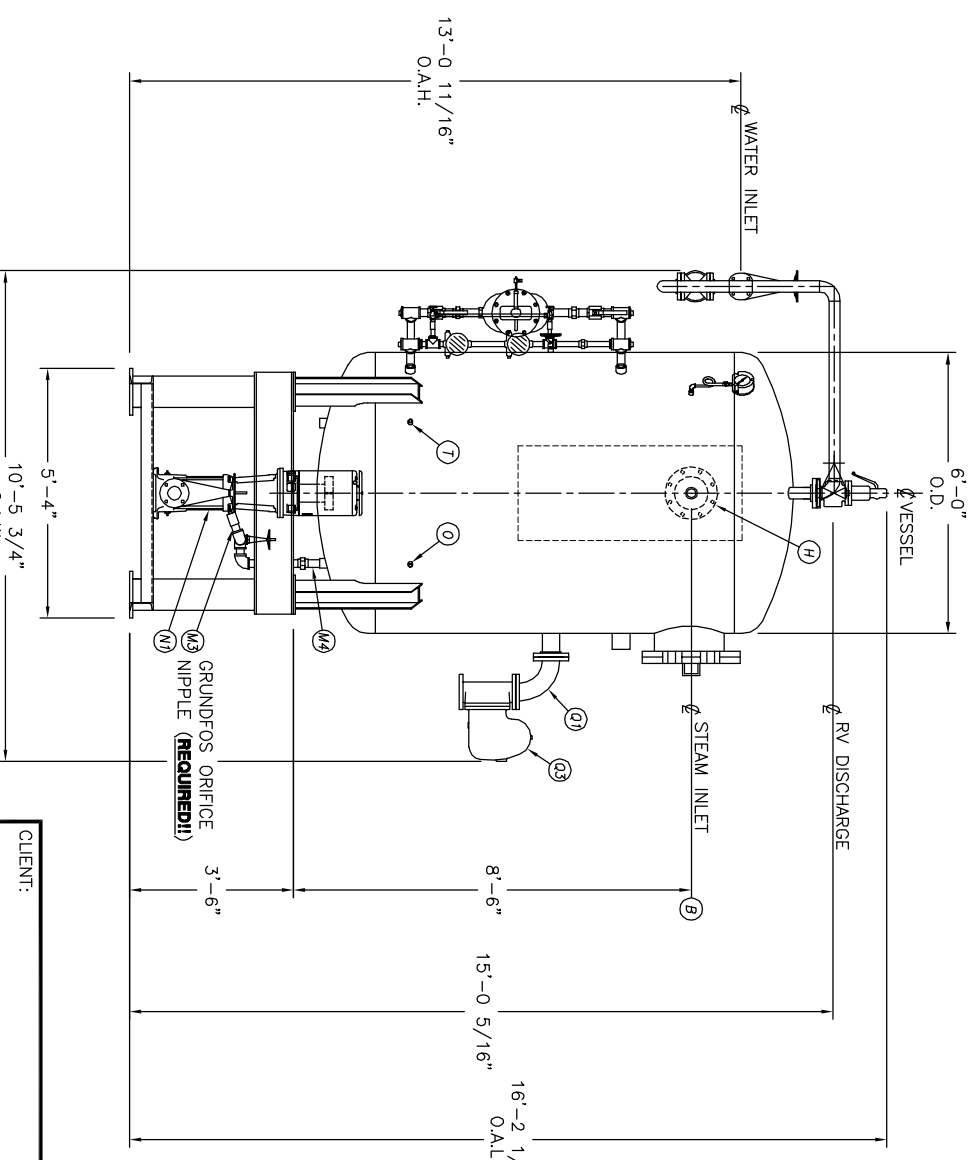
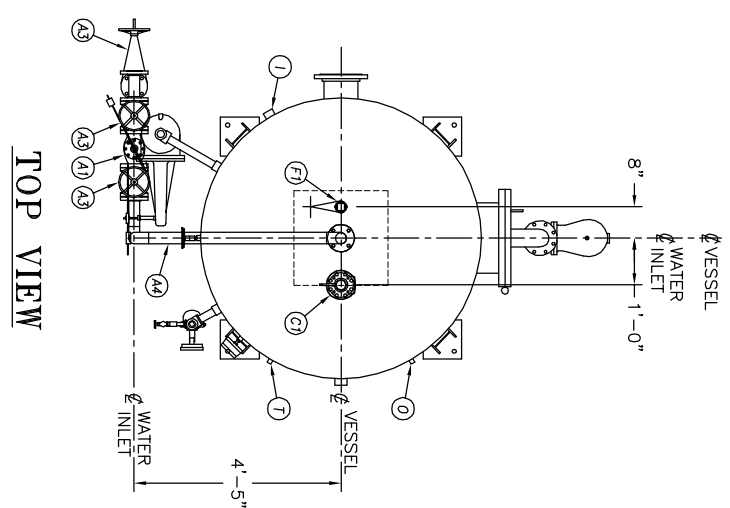
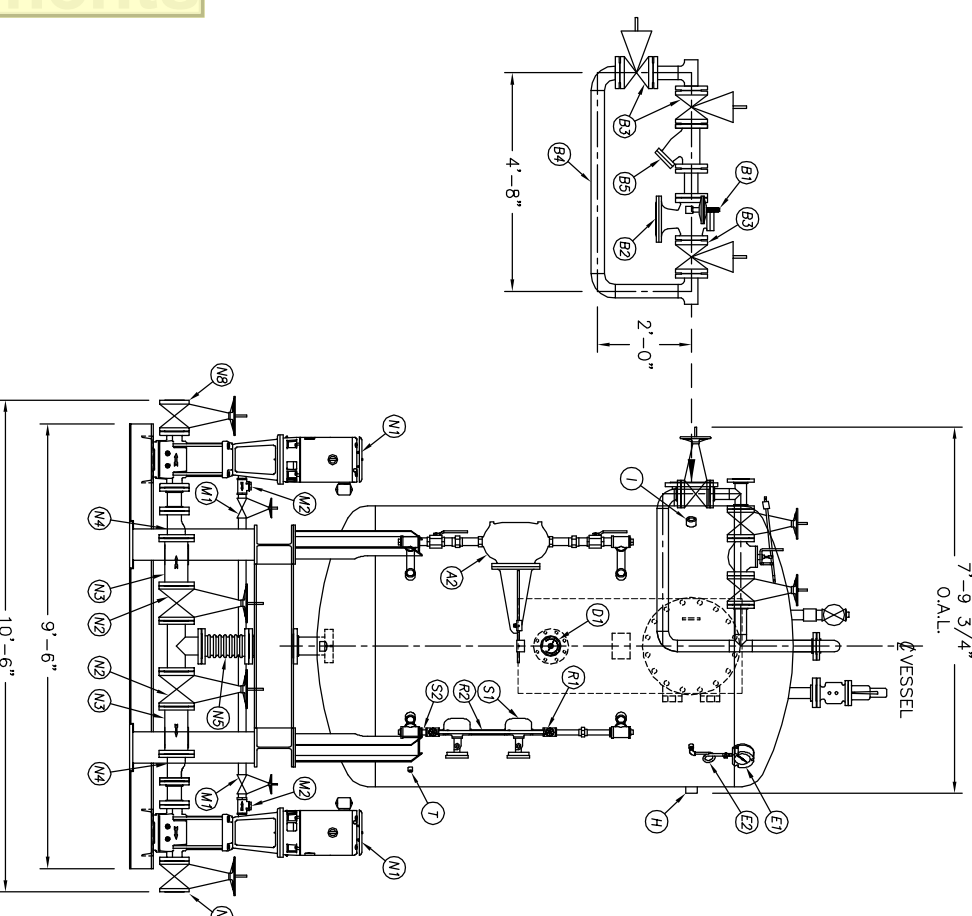
DWG. NO.:

MODEL: VTP50-6008-10-CR45-3
VTP050-6008-10-CR45-3

JOB #	SCALE	DESIGNED	DRAWN	CHECKED	DATE	UTD
STD	NTS	MK	GENI	PC	1-15 2004	1-15 2004

TITLE: GENERAL ARRANGEMENT

NOTES:
1. CUSTOMER TO FIELD ALIGN PUMPS AND MOTORS, THEN SEND KCD CERTIFICATION PAPERS.
2. GROUT STAND AS NECESSARY.



A1	INLET VALVE	NONE	NONE	
A2	CONTROL VALVE	NONE	NONE	
A3	BYPASS VALVES	2	NIBCO	T-111
A4	MAKE UP BY-PASS PIPING	2	KOD SHOP	
A5	STRAINER	NONE	NONE	
B1	STEAM PRV	NONE	NONE	
B2	STEAM CONTROLLER	NONE	NONE	
B3	BYPASS VALVES	NONE	NONE	
B4	STEAM PRV BY-PASS PIPING	NONE	NONE	
B5	1 STRAINER	3	MUELLER	782
C1	RELIEF VALVE	NONE	NONE	
C2	RELIEF VALVE PIPING	NONE	NONE	
D1	THERMOWELL	NONE	NONE	
E1	PRESSURE GAUGE	NONE	NONE	
E2	SIPHON & COCK	NONE	NONE	
E3	PRESSURE TRANS	NONE	NONE	
F1	VENT VALVE	NONE	NONE	
F2	1 ORIFICE PLATES	#N/A	#N/A	
F3	BYPASS VALVES	NONE	NONE	
F4	VENT PIPING	NONE	NONE	
G1	IMV SPARE GASKETS	NONE	NONE	
H1	VACUUM BREAKER	NONE	NONE	
M1	BFP RECIRC SHUTTOFF	NONE	NONE	
M2	BFP RECIRC CHECK	NONE	NONE	
M3	BFP ORIFICE / VALVE	NONE	NONE	
M4	BFP PIPING	NONE	NONE	
M5	BFP PRESSURE GAUGE	4	GRUNDFOS	CR60-50U
M6	BOILER FEED PUMPS	4	NIBCO	F817.0
N2	ISOLATION VALVE	4	MUELLER	788
N3	2 STRAINER	4	KOD SHOP	
N4	2 PIPING	4		
N5	2 EXPANSION JOINT	4		
N6	BFP DISC PRESSURE GAUGE			
N7	BFP DISC CHECK			
N8	BFP DISCH ISOLATION			
O	CHEMICAL FEED QUILL	NONE	NONE	
P	IMV SPARE GASKETS			
Q1	OVERFLOW VALVE	NONE	NONE	
Q2	CONTROL VALVE	NONE	NONE	
Q3	OVERFLOW PIPING	NONE	NONE	
R1	LEVEL SWITCH	1 1/2	NIBCO	T-111
R2	LEVEL SWITCH BRIDLE PIPING	1 1/2	NIBCO	T-111
S1	1 GAUGE GLASS	NONE	NONE	
S2	1 GAUGE GLASS BRIDLE PIPING	1 1/2	NIBCO	T-111
T1				
2	CONTROL PANEL			
	STARTERS	NONE		
1	PUMP STAND	14.2		