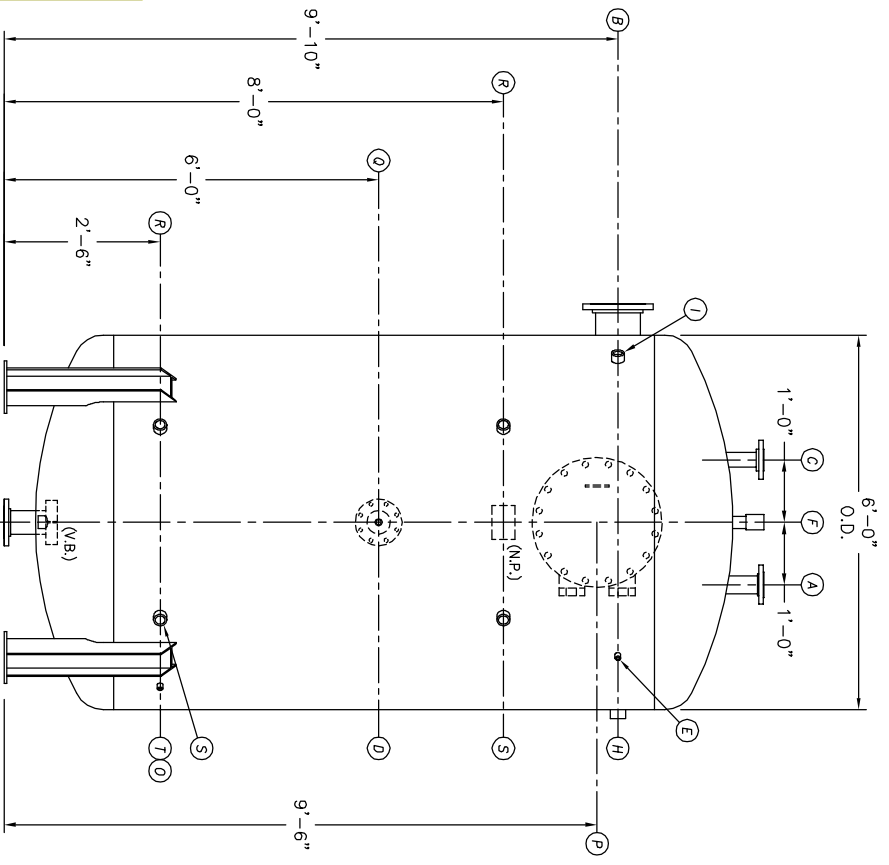
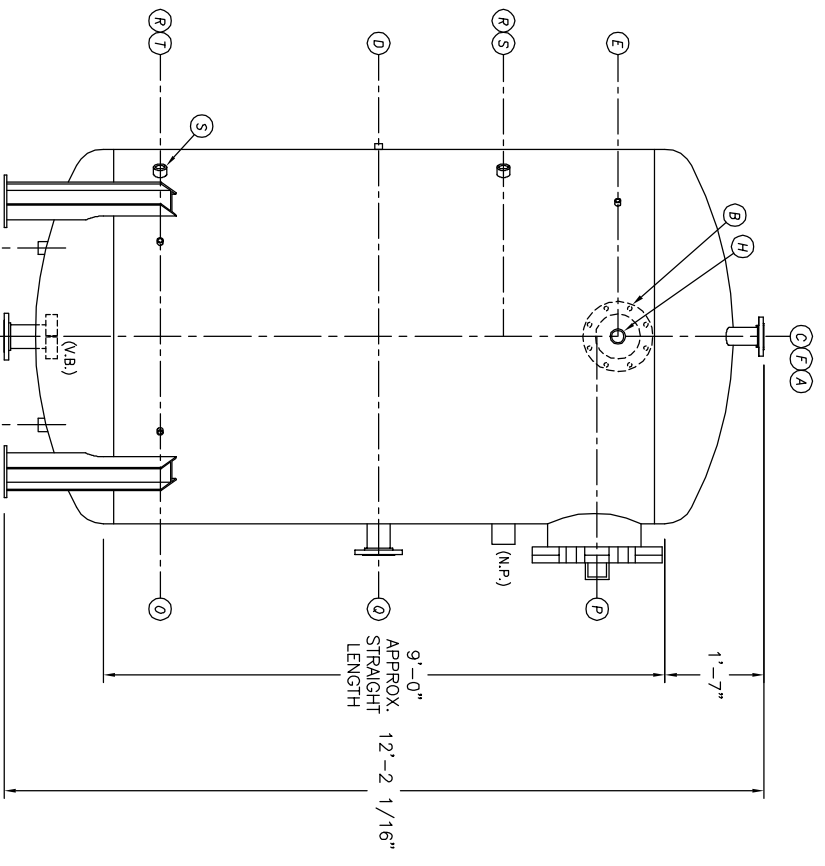


TOP VIEW



FRONT VIEW



END VIEW

- NOTES:**
1. SEE CONNECTION SCHEDULE FOR NOZZLE DESCRIPTIONS.
 2. STRAIGHT LENGTHS ARE APPROXIMATE. OVERALL LENGTH (OAL) IS TO BE HELD.
 3. FOR MISCELLANEOUS DETAILS SEE MD DRAWINGS
 4. DIMENSIONS ARE GIVEN FROM CENTER LINE OF TANKS TO NOZZLE CENTER LINE OR OUTSIDE FACE OF FLANGE.
 5. G.B. = GRAB BAR
V.B. = VORTEX BREAKER
N.P. = NAME PLATE
F.S. = FAR SIDE
D.S. = DRIP SHIELD
N.S. = NEAR SIDE
T.B. = TEE BAFFLE
CL = CENTER LINE

NOTE:
PUMP SUCTION NOZZLES
WILL BE ADDED TO MATCH
ANY PUMPS SUPPLIED BY KCD

CLIENT AND THE INFORMATION IT
HAVE BEEN FURNISHED FOR USE
BY OWN ORGANIZATION ONLY AND
NOT BE LOANED, REPRODUCED,
COPIED, OR TRANSMITTED IN ANY
MANNER OR BY ANY MEANS, ELECTRONIC
OR MECHANICAL, INCLUDING PHOTOCOPYING,
RECORDING, OR BY ANY INFORMATION
SYSTEMS WITHOUT THE WRITTEN
CONSENT OF KANSAS CITY DEAERATOR CO.,
1211 OVERLAND PARK, KANSAS 66209

| NO. | DATE | DESCRIPTION OF CHANGE |
|-----|------|-----------------------|
| - | - | - |
| - | - | - |
| - | - | - |
| - | - | - |

| | | | |
|-----------|-----|---------------------------|----------|
| CLIENT: | | KANSAS CITY DEAERATOR CO. | |
| JOB # | | SCALE | DESIGNED |
| STD | NTS | MK | GENI |
| DRAWN | | PC | 2003 |
| CHECKED | | DATE | UTD |
| TITLE: | | GENERAL ARRANGEMENT | |
| MODEL: | | VSP-6009-070 | |
| DWG. NO.: | | VSP-6009-070 | |

KANSAS CITY DEAERATOR CO.
6731 W. 121st STREET
OVERLAND PARK, KANSAS 66209
(913) 338-2111 FAX (913) 338-2144

Click Here & Upgrade
Expanded Features
Unlimited Pages
PDF Complete