

INFORMANT AND THE INFORMATION IT  
HAVE BEEN FURNISHED FOR USE  
BY OWN ORGANIZATION ONLY AND  
NOT BE REPRODUCED OR TRANSMITTED  
IN ANY MANNER OR BY ANY MEANS  
ELECTRONIC OR MECHANICAL, INCLUDING  
PHOTOCOPYING, RECORDING, OR BY  
ANY INFORMATION STORAGE AND  
RETRIEVAL SYSTEM, WITHOUT THE  
WRITTEN PERMISSION OF KANSAS CITY  
DEAERATOR CO., KANSAS CITY, MO 64108

NO. DATE

DESCRIPTION OF CHANGE

BY

DATE

DESCRIPTION OF CHANGE

BY

DATE

DESCRIPTION OF CHANGE

BY

DATE

DESCRIPTION OF CHANGE

BY

DATE

DESCRIPTION OF CHANGE

BY

DATE

DESCRIPTION OF CHANGE

BY

DATE

DESCRIPTION OF CHANGE

BY

DATE

DESCRIPTION OF CHANGE

BY

DATE

DESCRIPTION OF CHANGE

BY

DATE

DESCRIPTION OF CHANGE

BY

DATE

DESCRIPTION OF CHANGE

BY

DATE

DESCRIPTION OF CHANGE

BY

DATE

DESCRIPTION OF CHANGE

BY

DATE

DESCRIPTION OF CHANGE

BY

DATE

DESCRIPTION OF CHANGE

BY

DATE

DESCRIPTION OF CHANGE

BY

DATE

DESCRIPTION OF CHANGE

BY

DATE

DESCRIPTION OF CHANGE

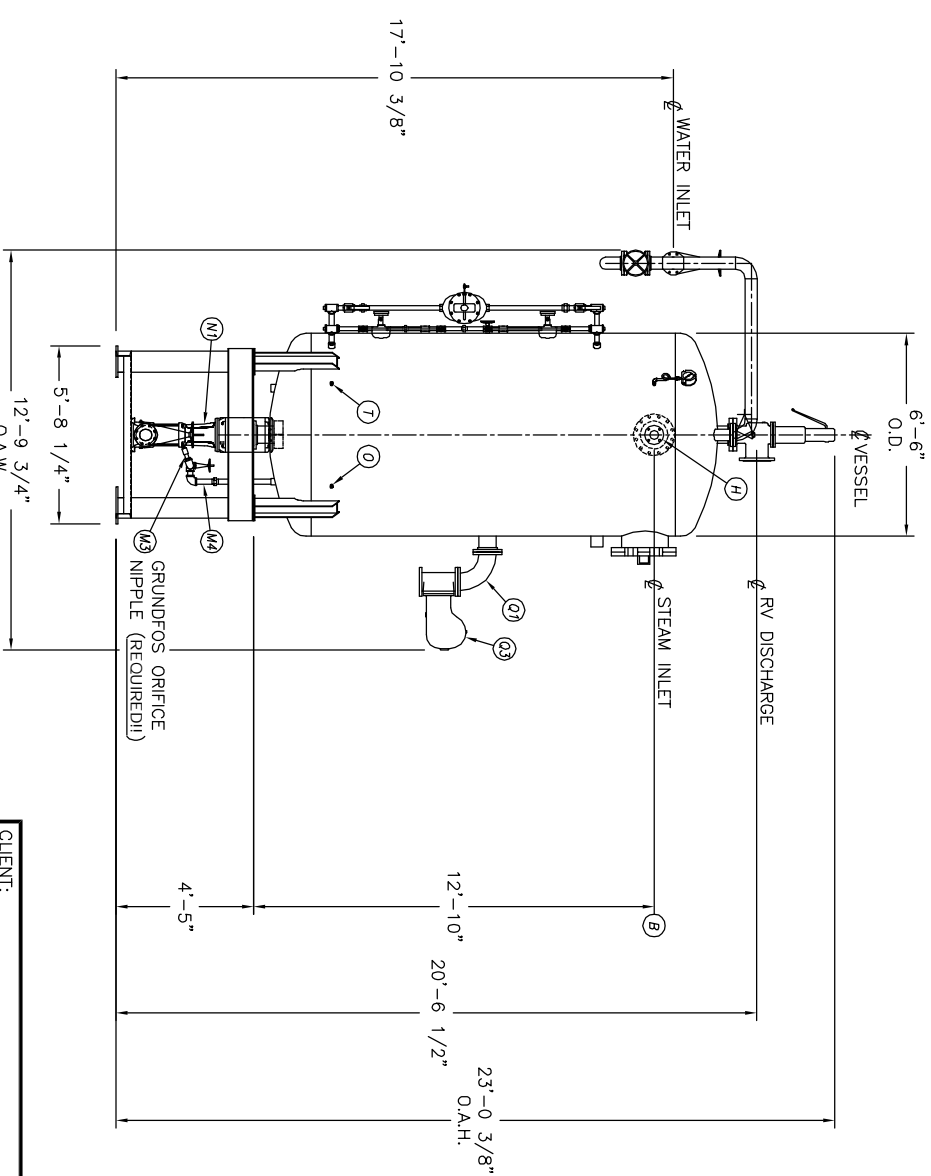
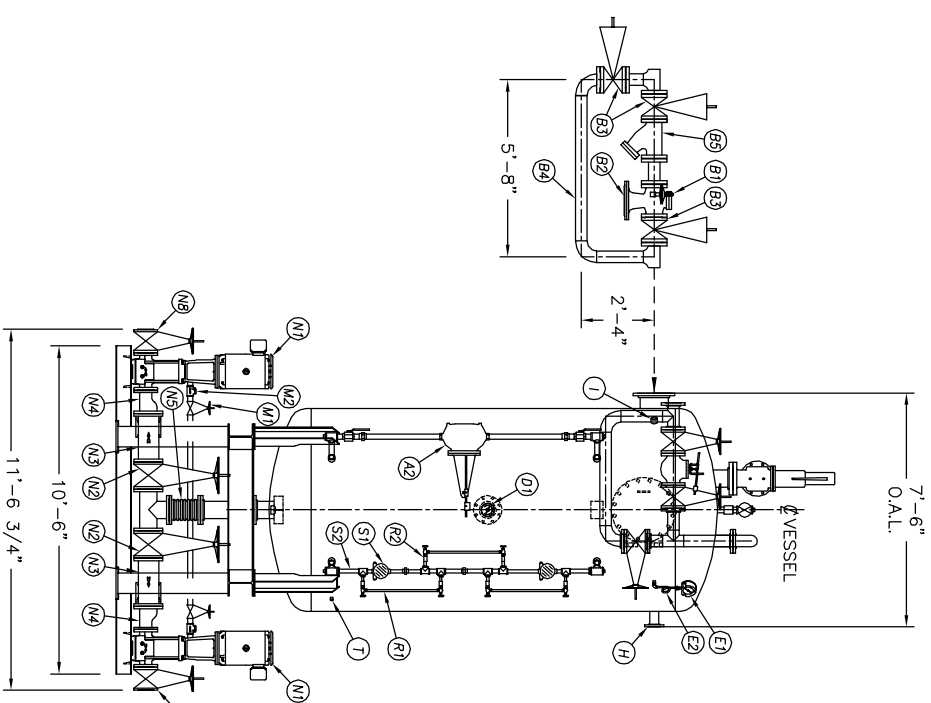
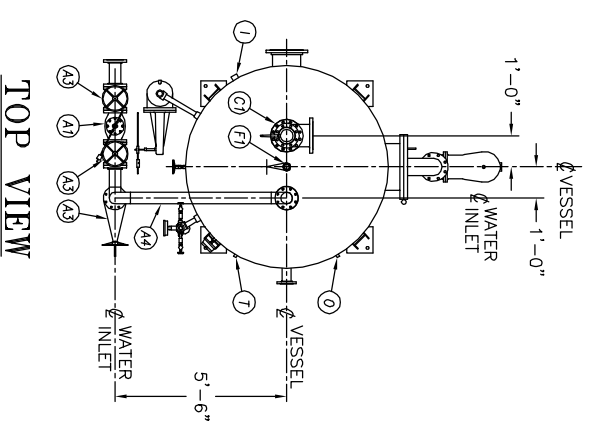
BY

DATE

DESCRIPTION OF CHANGE

BY

DATE



A1	INLET VALVE			NONE	
A2	CONTROLLER			NONE	
A3	BYPASS VALVES	2		NIBCO	T-111
A4	MAKE UP BY-PASS PIPING	2		KOD SHOP	
A5	STRAINER			NONE	
B1	STEAM PRV			NONE	
B2	STEAM CONTROLLER			NONE	
B3	BYPASS VALVES			NONE	
B4	STEAM PRV BY-PASS PIPING			NONE	
B5	STRAINER	3		MUELLER	782
C1	RELIEF VALVE			NONE	
C2	RELIEF VALVE PIPING			NONE	
D1	THERMOWELL			NONE	
E1	PRESSURE GAUGE			NONE	
E2	SIPHON & COCK			NONE	
E3	PRESSURE TRANS			NONE	
F1	VENT VALVE			NONE	
F2	ORIFICE PLATES	#N/A		#N/A	
F3	BYPASS VALVES			NONE	
F4	VENT PIPING			NONE	
G1	IMV SPARE GASKETS			NONE	
H1	VACUUM BREAKER			NONE	
M1	BFP RECIRC SHUTTOFF				
M2	BFP RECIRC CHECK				
M3	BFP ORIFICE / VALVE				
M4	BFP PIPING			NONE	
M5	BFP PRESSURE GAUGE	4		GRUNDFOSS	CR60-50U
M1	BOILER FEED PUMPS	4		NIBCO	F817.0
N2	ISOLATION VALVE	4		MUELLER	788
N3	STRAINER	4		KOD SHOP	
N4	PIPING	4			
N5	EXPANSION JOINT				
N6	BFP DISC PRESSURE GAUGE				
N7	BFP DISC CHECK				
N8	BFP DISCH ISOLATION				
O	CHEMICAL FEED QUILL			NONE	
P	IMV SPARE GASKETS				
Q1	OVERFLOW VALVE			NONE	
Q2	CONTROLLER			NONE	
Q3	OVERFLOW PIPING			NONE	
R1	LEVEL SWITCHES			NONE	
R2	LEVEL SWITCH BRIDLE PIPING	1 1/2		NIBCO	T-111
S1	GAUGE GLASS			NONE	
S2	GAUGE GLASS BRIDLE PIPING	1 1/2		NIBCO	T-111
T1					
2	CONTROL PANEL				
	STARTERS			NONE	
1	PUMP STAND			14.2	

**NOTES:**  
1. CUSTOMER TO FIELD ALIGN PUMPS AND MOTORS, THEN SEND KOD CERTIFICATION PAPERS.  
2. GROUT STAND AS NECESSARY.

CLIENT:					
JOB #	SCALE	DESIGNED	DRAWN	CHECKED	DATE
STD	NTS	MK	GENI	PC	10-21 10-21 2003 2003
TITLE: GENERAL ARRANGEMENT					
MODEL: VSP-6512-110					
DWG. NO: VSP6512-110-CR64-3					

KANSAS CITY DEAERATOR CO.  
6731 W. 121st STREET  
OVERLAND PARK, KANSAS 66209  
(913) 338-2111 FAX (913) 338-2144