

UMENT AND THE INFORMATION IT
HAVE BEEN FURNISHED FOR USE
BY YOUR OWN ORGANIZATION ONLY AND
NOT FOR REPRODUCTION OR TRANSMISSION
IN ANY FORM OR BY ANY MEANS
ELECTRONIC OR MECHANICAL, INCLUDING
PHOTOCOPYING, RECORDING, OR BY ANY
INFORMATION STORAGE AND RETRIEVAL
SYSTEM. PERMISSION IS GRANTED TO
REPRODUCE THIS DOCUMENT FOR
PERSONAL OR INTERNAL USE ONLY ON
CONDITION THAT THE ORIGINAL
AUTHORITY BEING CITED BE
PROPERLY ACKNOWLEDGED.

NO. DATE

DESCRIPTION OF CHANGE

BY

DATE

DESCRIPTION OF CHANGE

BY

DATE

DESCRIPTION OF CHANGE

BY

DATE

DESCRIPTION OF CHANGE

BY

DATE

DESCRIPTION OF CHANGE

BY

DATE

DESCRIPTION OF CHANGE

BY

DATE

DESCRIPTION OF CHANGE

BY

DATE

DESCRIPTION OF CHANGE

BY

DATE

DESCRIPTION OF CHANGE

BY

DATE

DESCRIPTION OF CHANGE

BY

DATE

DESCRIPTION OF CHANGE

BY

DATE

DESCRIPTION OF CHANGE

BY

DATE

DESCRIPTION OF CHANGE

BY

DATE

DESCRIPTION OF CHANGE

BY

DATE

DESCRIPTION OF CHANGE

BY

DATE

DESCRIPTION OF CHANGE

BY

DATE

DESCRIPTION OF CHANGE

BY

DATE

DESCRIPTION OF CHANGE

BY

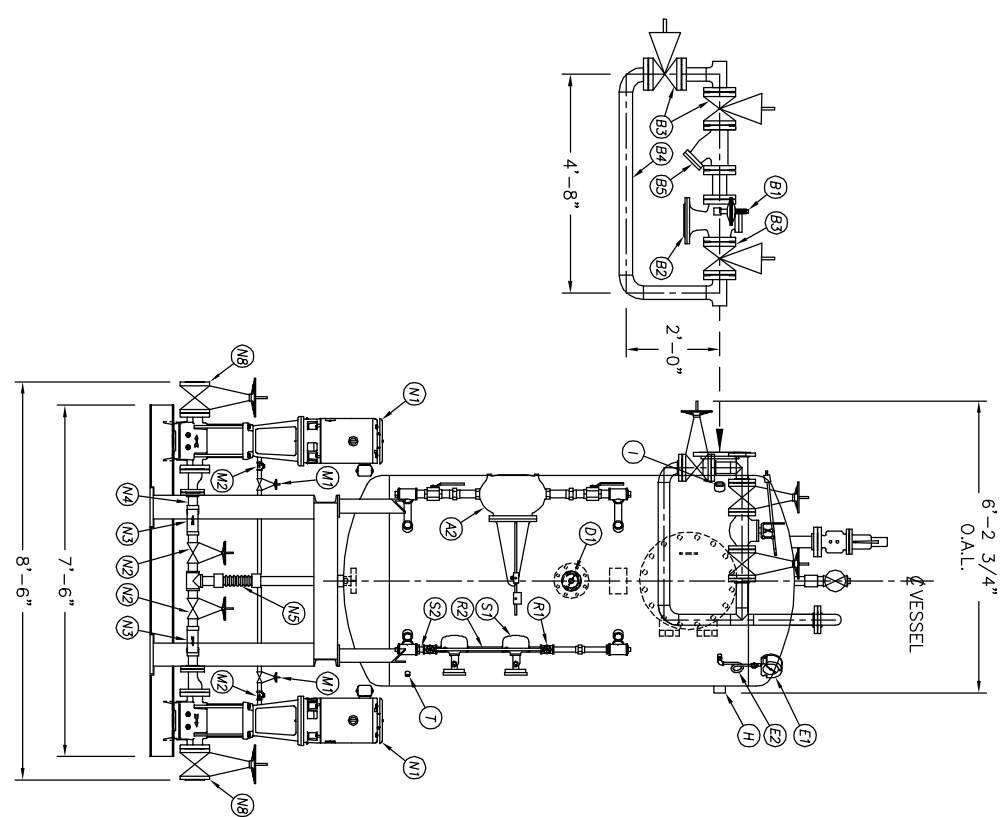
DATE

DESCRIPTION OF CHANGE

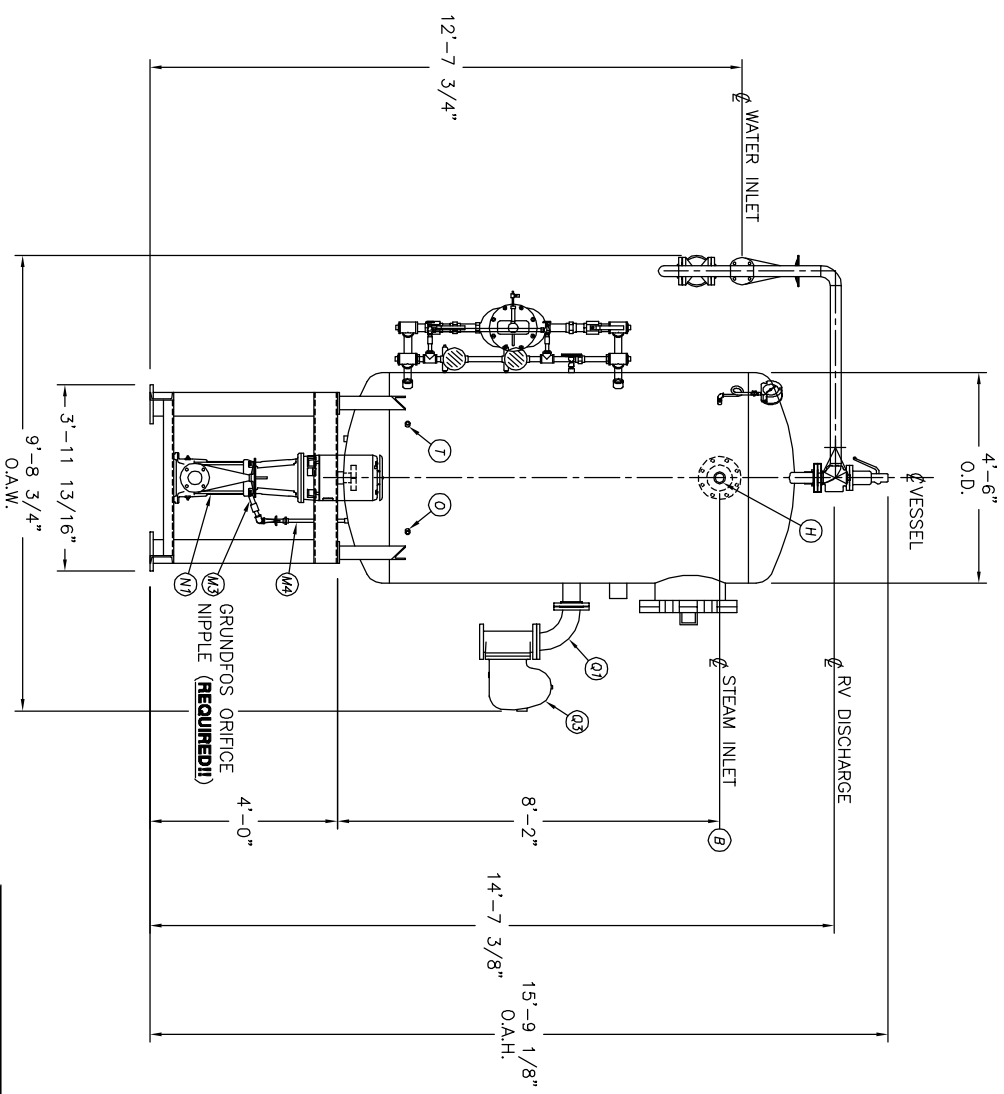
BY

DATE

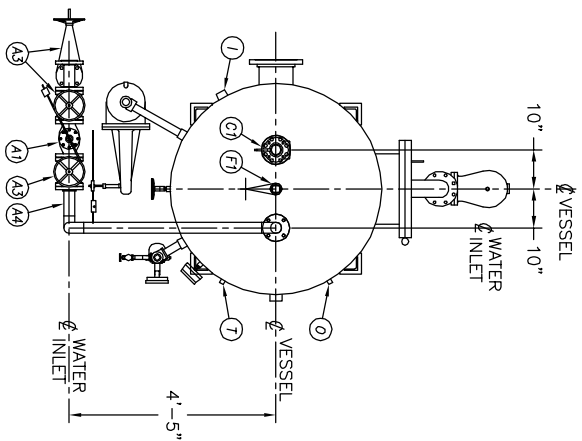
FRONT VIEW



END VIEW



TOP VIEW



CLIENT:

KANSAS CITY DEAERATOR CO.
6731 W. 121st STREET
OVERLAND PARK, KANSAS 66209
(913) 338-2111 FAX (913) 338-2144

JOB # SCALE DESIGNED DRAWN CHECKED DATE UTD

STD NTS MK GENI PC 12-15 12-15 2003 2003

TITLE: GENERAL ARRANGEMENT

MODEL: VSP-4508-060

DWG. NO.: VSP4508-060-CR45-3

NOTES:
1. CUSTOMER TO FIELD ALIGN PUMPS AND MOTORS, THEN SEND KCD CERTIFICATION PAPERS.
2. GROUT STAND AS NECESSARY.

A1	INLET VALVE	NONE	NONE	
A2	CONTROL VALVE	NONE	NONE	
A3	BYPASS VALVES	2	NIBCO	T-111
A4	MAKE UP BY-PASS PIPING	2	KOD SHOP	
A5	STRAINER	NONE	NONE	
B1	STEAM PRV	NONE	NONE	
B2	STEAM CONTROLLER	NONE	NONE	
B3	BYPASS VALVES	NONE	NONE	
B4	STEAM PRV BY-PASS PIPING	NONE	NONE	
B5	STRAINER	3	MUELLER	782
C1	RELIEF VALVE	NONE	NONE	
C2	RELIEF VALVE PIPING	NONE	NONE	
D1	THERMOWELL	NONE	NONE	
E1	PRESSURE GAUGE	NONE	NONE	
E2	SIPHON & COCK	NONE	NONE	
E3	PRESSURE TRANS	NONE	NONE	
F1	VENT VALVE	NONE	NONE	
F2	ORIFICE PLATES	#N/A	#N/A	
F3	BYPASS VALVES	NONE	NONE	
F4	VENT PIPING	NONE	NONE	
G1	IMV SPARE GASKETS	NONE	NONE	
H1	VACUUM BREAKER	NONE	NONE	
M1	BFP RECIRC SHUTTOFF			
M2	BFP RECIRC CHECK			
M3	BFP ORIFICE / VALVE			
M4	BFP PIPING		NONE	
M5	BFP PRESSURE GAUGE	4	GRUNDFOS	CR60-50U
M1	BOILER FEED PUMPS	4	NIBCO	FS17.0
N2	ISOLATION VALVE	4	MUELLER	788
N3	STRAINER	4	KOD SHOP	
N4	PIPING	4		
N5	EXPANSION JOINT			
N6	BFP DISC PRESSURE GAUGE			
N7	BFP DISC CHECK			
N8	BFP DISCH ISOLATION			
O	CHEMICAL FEED QUILL		NONE	
P	IMV SPARE GASKETS			
Q1	OVERFLOW VALVE		NONE	
Q2	CONTROL VALVE		NONE	
Q3	OVERFLOW PIPING		NONE	
R1	LEVEL SWITCHES	1 1/2	NIBCO	T-111
R2	LEVEL SWITCH BRIDLE PIPING	1 1/2	NIBCO	T-111
S1	GAUGE GLASS		NONE	
S2	GAUGE GLASS BRIDLE PIPING	1 1/2	NIBCO	T-111
T1				
	2 CONTROL PANEL STARTERS	NONE		
	1 PUMP STAND	14.2		