

PDF Complete

UMENT AND THE INFORMATION IT
HAVE BEEN FURNISHED FOR USE
BY OWN ORGANIZATION ONLY AND
NOT BE REPRODUCED OR TRANSMITTED
IN ANY FORM OR BY ANY MEANS
ELECTRONIC OR MECHANICAL,
INCLUDING PHOTOCOPYING, RECORDING,
OR BY ANY INFORMATION STORAGE
AND RETRIEVAL SYSTEM, WITHOUT
THE WRITTEN PERMISSION OF
KANSAS CITY DEARATOR CO.,
KANSAS CITY, MISSOURI 64108

NO.	DATE	DESCRIPTION OF CHANGE
-	-	-
-	-	-
-	-	-

FRONT VIEW

JOB #	SCALE	DESIGNED	DRAWN	CHECKED	DATE	UTD
STD	NTS	MK	GENI	PC	6-04 2004	6-04 2004

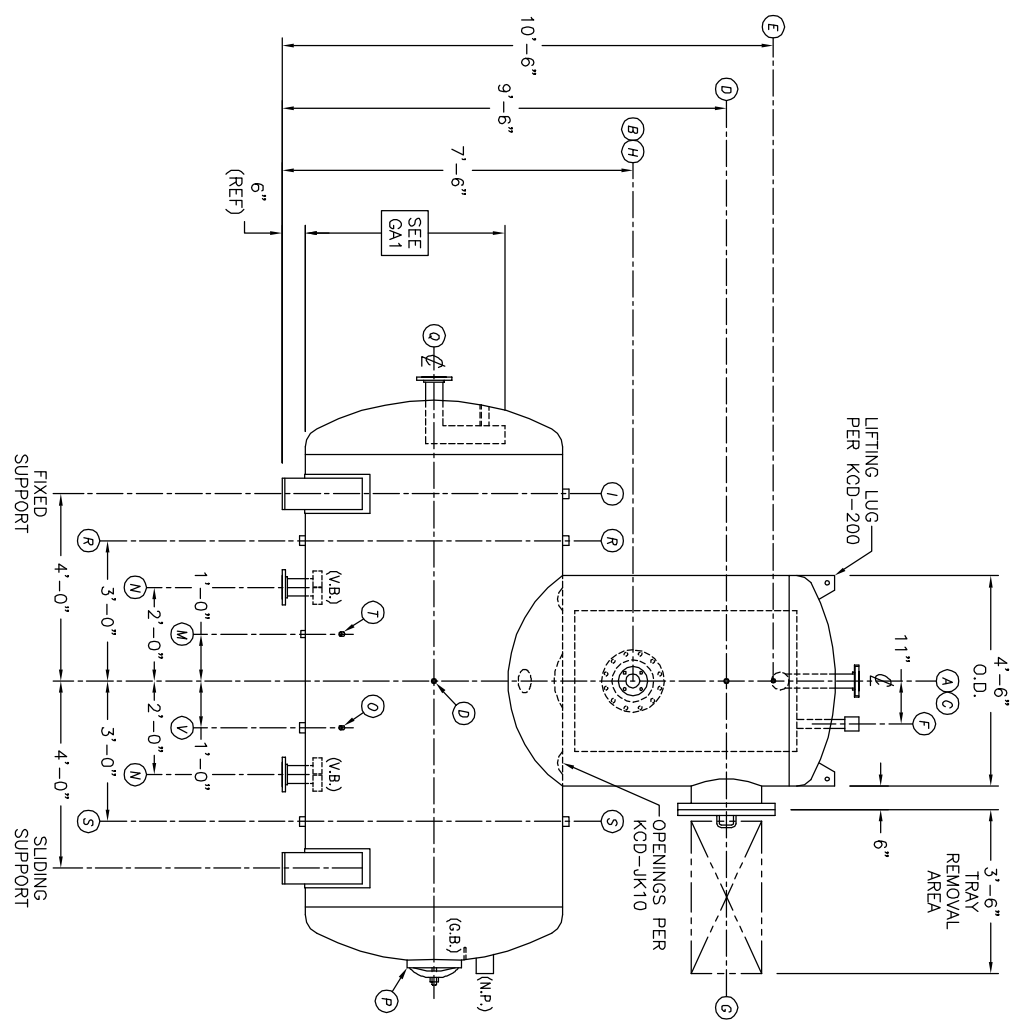
TITLE: **GENERAL ARRANGEMENT**

MODEL: TCP122-5510

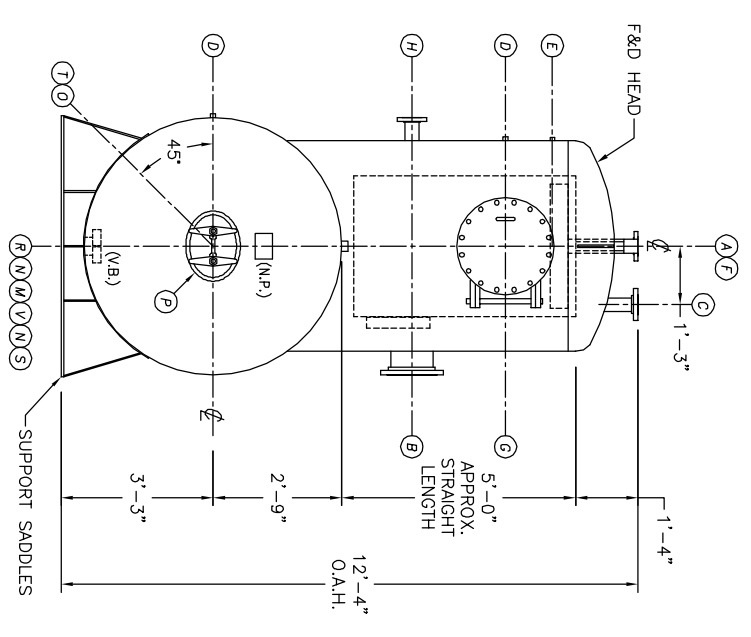
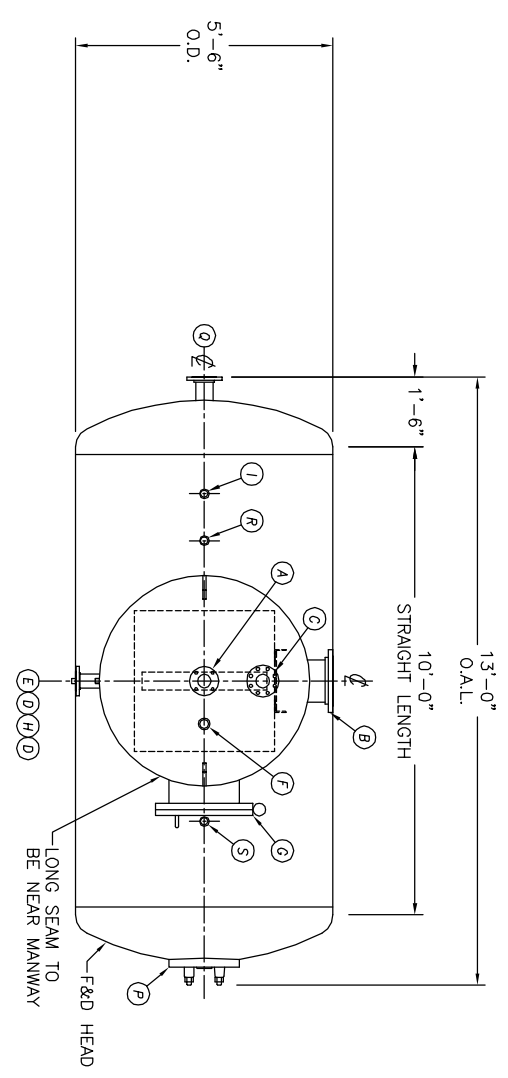
DWG. NO.: **TCP122-5510**

CLIENT:

KANSAS CITY DEARATOR CO.
6731 W. 121st STREET
OVERLAND PARK, KANSAS 66209
(913) 338-2111 FAX (913) 338-2144



TOP VIEW



END VIEW

NOTE:
PUMP SUCTION NOZZLES
WILL BE ADDED TO MATCH
ANY PUMPS SUPPLIED BY KCD

- NOTES:**
- SEE CONNECTION SCHEDULE FOR NOZZLE DESCRIPTIONS.
 - STRAIGHT LENGTHS ARE APPROXIMATE. OVERALL LENGTH (OAL) IS TO BE HELD.
 - FOR MISCELLANEOUS DETAILS SEE MD DRAWINGS
 - DIMENSIONS ARE GIVEN FROM CENTER LINE OF TANKS TO NOZZLE CENTER LINE OR OUTSIDE FACE OF FLANGE.
 - D.S. = DRIP SHIELD
 - N.S. = NEAR SIDE
 - F.S. = FAR SIDE
 - G.B. = GRAB BAR
 - V.B. = VORTEX BREAKER
 - N.P. = NAME PLATE
 - F.S. = FAR SIDE
 - T.B. = TEE BAFFLE
 - φ = CENTER LINE