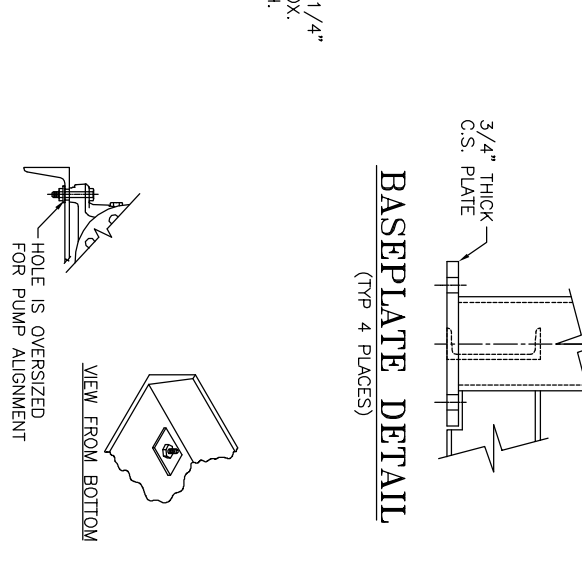
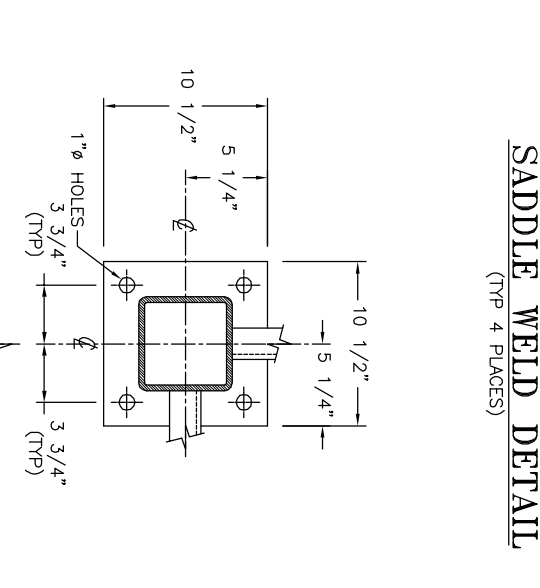
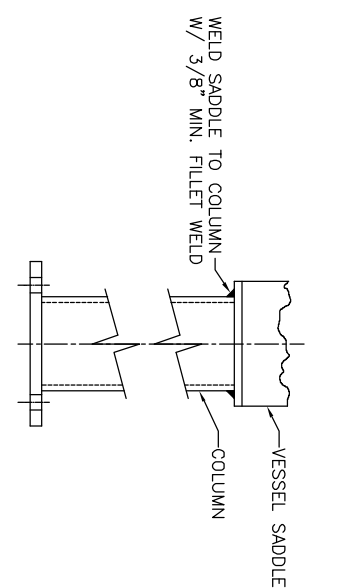
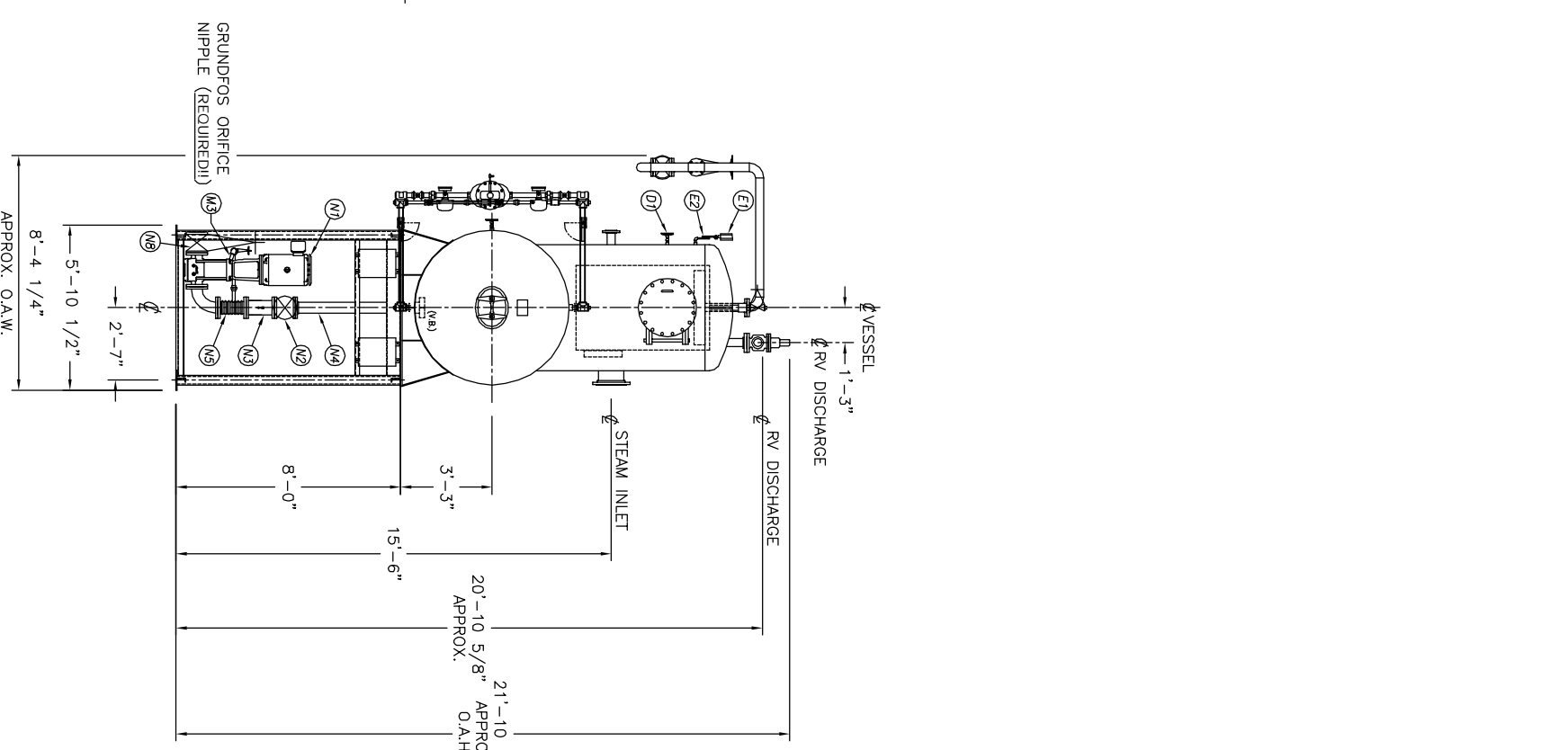
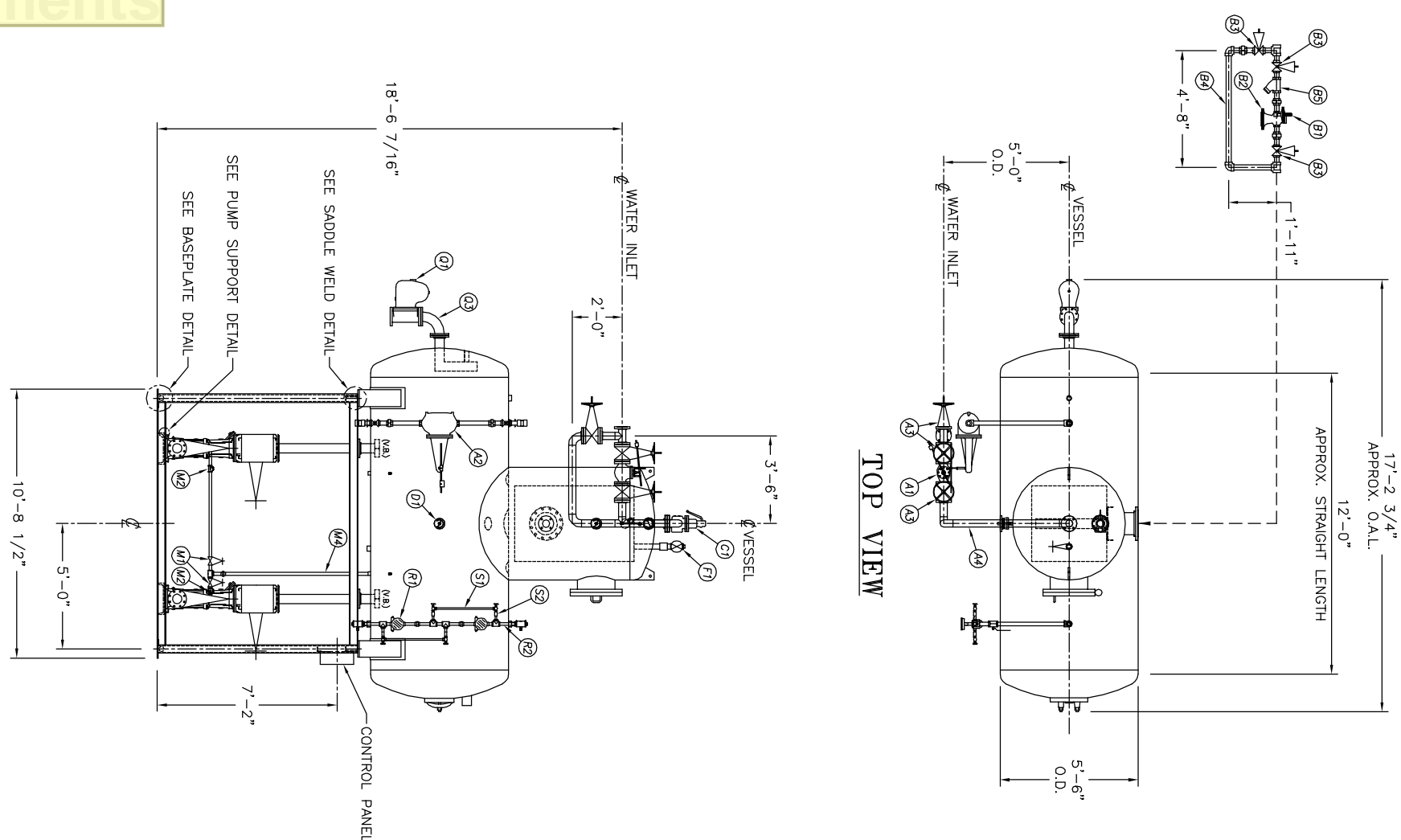


THE INFORMATION FURNISHED FOR USE BY ANY ORGANIZATION ONLY AND IS NOT TO BE USED FOR ANY OTHER PURPOSE WITHOUT THE WRITTEN CONSENT OF KANSAS CITY DEARATOR CO., LAND PARK, KANSAS 66209

NO.	DATE	DESCRIPTION OF CHANGE	BY



A1	INLET VALVE		NONE	
A2	CONTROL VALVE		NONE	
A3	3 BYPASS VALVES	2	NIBCO	T-111
A4	1 MAKE UP BY-PASS PIPING	2	KOD SHOP	
A5	1 STRAINER		NONE	
B1	STEAM PRV		NONE	
B2	STEAM CONTROLLER		NONE	
B3	3 BYPASS VALVES		NONE	
B4	1 STEAM PRV BY-PASS PIPING	3	MUELLER	782
B5	1 STRAINER		NONE	
C1	RELIEF VALVE		NONE	
C2	RELIEF VALVE PIPING		NONE	
D1	THERMOWELL		NONE	
E1	PRESSURE GAUGE		NONE	
E2	SIPHON & COCK		NONE	
E3	PRESSURE TRANS		NONE	
F1	VENT VALVE		NONE	
F2	1 ORIFICE PLATES	#N/A	#N/A	
F3	3 BYPASS VALVES		NONE	
F4	VENT PIPING		NONE	
G1	1 MW SPARE GASKETS		NONE	
H1	VACUUM BREAKER		NONE	
M1	BFP RECIRC SHUTTOFF			
M2	BFP RECIRC CHECK			
M3	BFP ORIFICE / VALVE			
M4	BFP PIPING		NONE	
M5	BFP PRESSURE GAUGE	4	GRUNDFOSS	CR60-50U
M6	2 BOILER FEED PUMPS	4	NIBCO	FS17.0
N2	2 ISOLATION VALVE	4	MUELLER	788
N3	2 STRAINER	4	KOD SHOP	
N4	2 PIPING	4		
N5	2 EXPANSION JOINT	4		
N6	BFP DISC PRESSURE GAUGE			
N7	BFP DISC CHECK			
N8	BFP DISCH ISOLATION			
O	CHEMICAL FEED QUILL		NONE	
P	1 MW SPARE GASKETS			
Q1	OVERFLOW VALVE		NONE	
Q2	CONTROL VALVE		NONE	
Q3	OVERFLOW PIPING		NONE	
R1	LEVEL SWITCHES	1	NONE	
R2	1 LEVEL SWITCH BRIDLE PIPING	1	NIBCO	T-111
S1	1 GAUGE GLASS		NONE	
S2	1 GAUGE GLASS BRIDLE PIPING	1	NIBCO	T-111
T1				
2	CONTROL PANEL STARTERS		NONE	
1	PUMP STAND	14.2		

NOTE:
CUSTOMER TO FIELD ALIGN PUMPS AND MOTORS, THEN SEND KOD CERTIFICATION PAPERS.

CLIENT: **KANSAS CITY DEARATOR CO.**
6731 W. 121st STREET
OVERLAND PARK, KANSAS 66209
(913) 338-2111 FAX (913) 338-2144

JOB #	SCALE	DESIGNED	DRAWN	CHECKED	DATE	UTD
STD	NTS	MK	GENI	PC	06-10-06-10 2004	2004

TITLE: **GENERAL ARRANGEMENT PACKAGE - TCP5512**
MODEL: TCP122
DWG. NO.: **TCP122-5512-cr64-3**