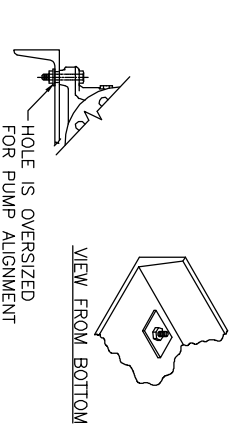
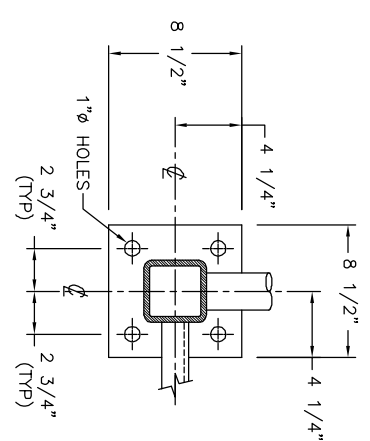
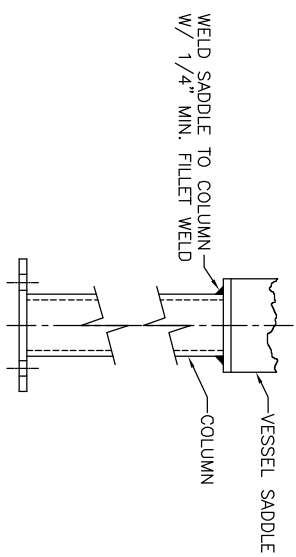
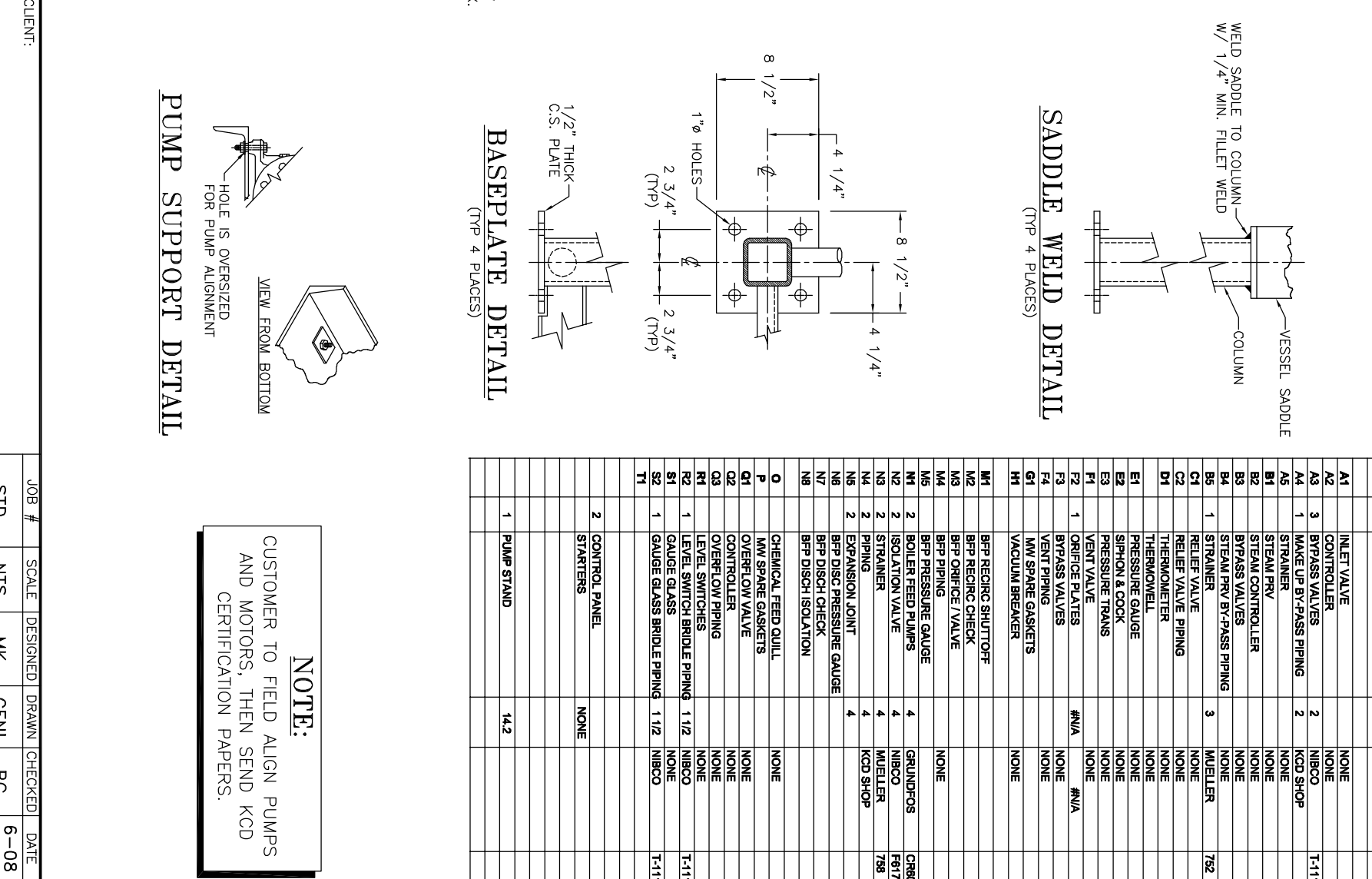
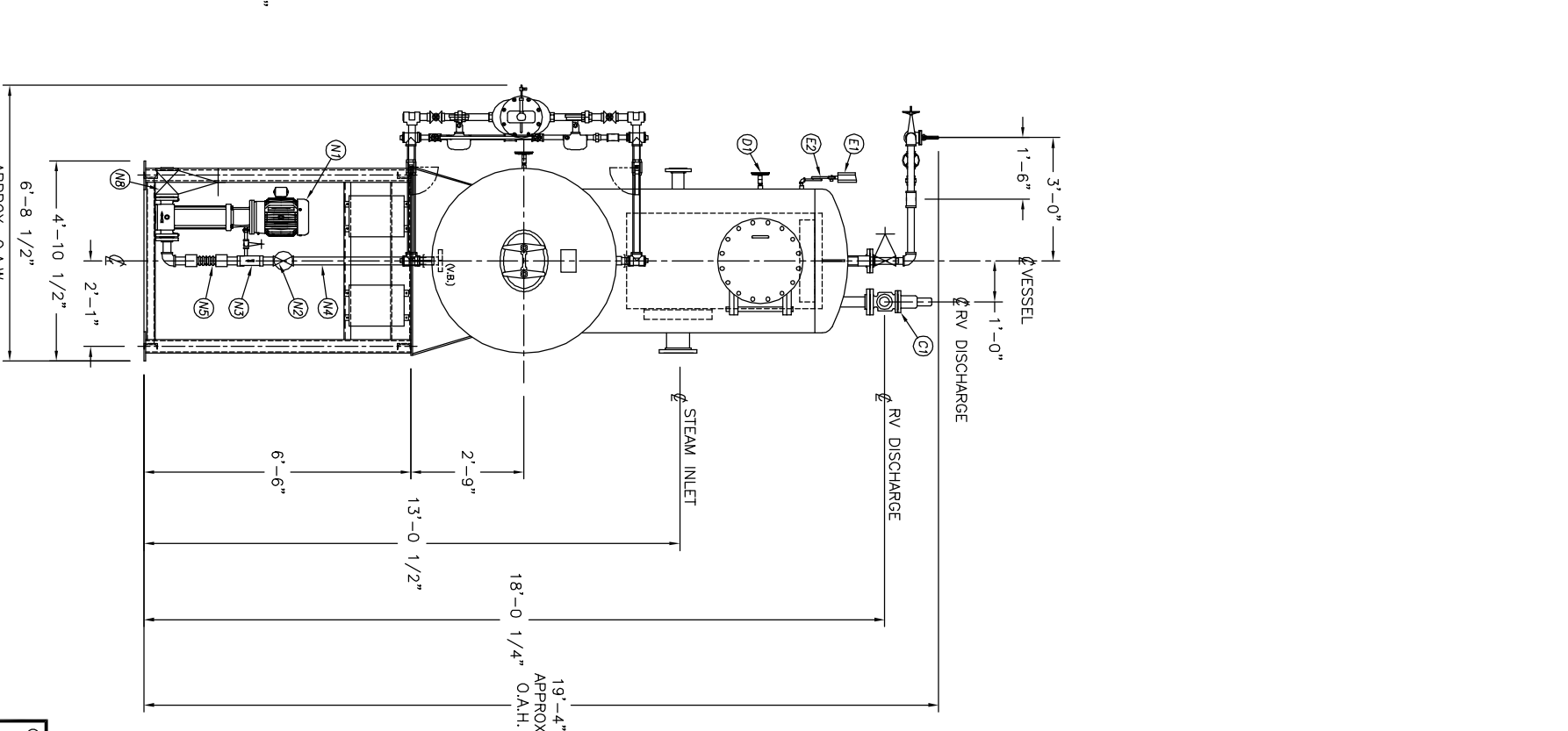
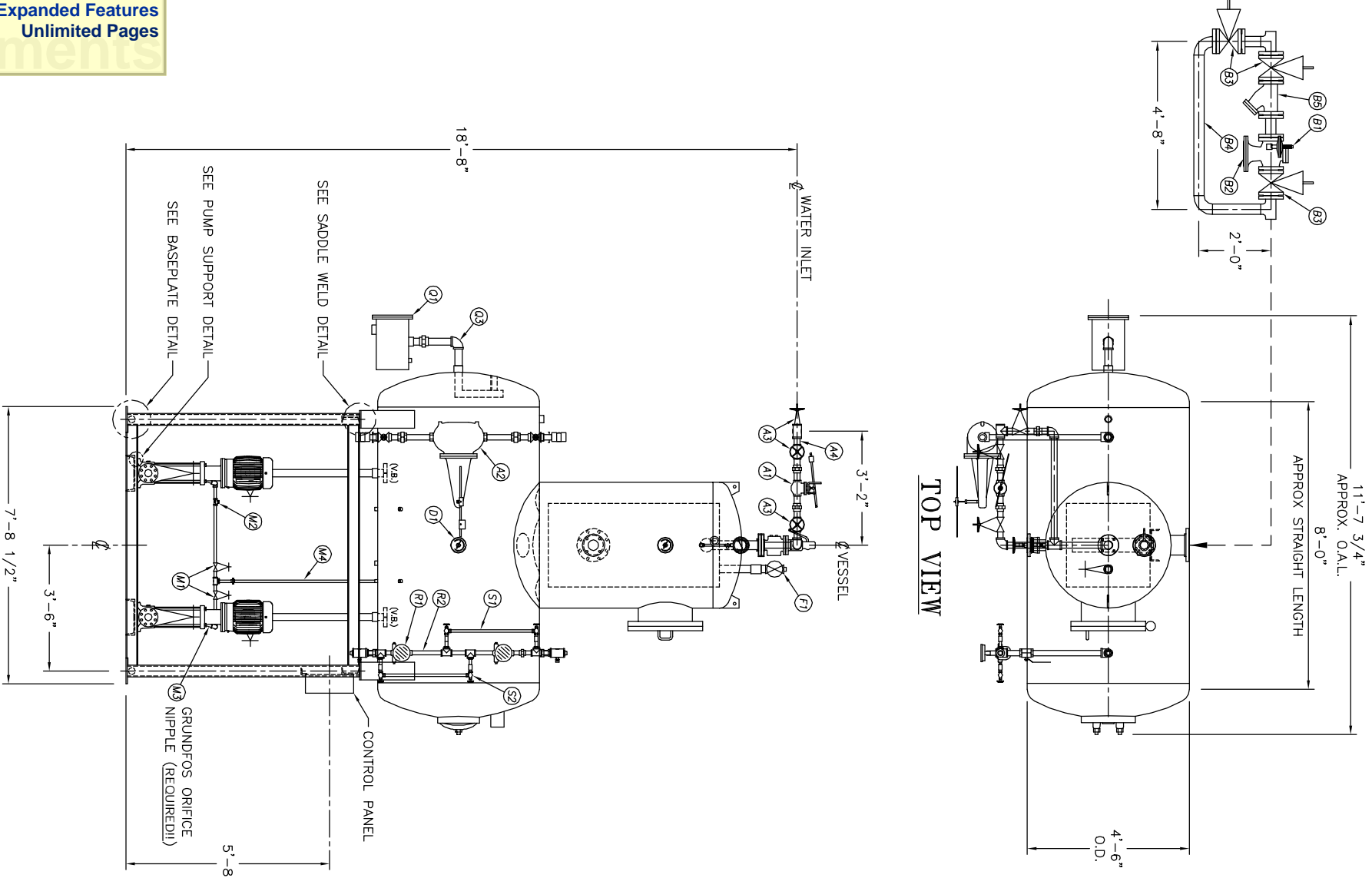


THE INFORMATION IT
 BEEN FURNISHED FOR USE
 OWN ORGANIZATION ONLY AND
 NOT BE REPRODUCED OR
 TRANSMITTED IN ANY FORM
 OR BY ANY MEANS, ELECTRONIC
 OR MECHANICAL, INCLUDING
 PHOTOCOPYING, RECORDING,
 OR BY ANY INFORMATION
 STORAGE AND RETRIEVAL
 SYSTEMS, WITHOUT THE WRITTEN
 PERMISSION OF KANSAS CITY
 DEAFERATOR CO.,
 6731 W. 121st STREET,
 OVERLAND PARK, KANSAS 66209

NO.	DATE	DESCRIPTION OF CHANGE	BY
-	-	-	-
-	-	-	-
-	-	-	-



A1	INLET VALVE			NONE	
A2	CONTROL VALVE			NONE	
A3	3 BYPASS VALVES	2		NIBCO	T-111
A4	1 MAKE UP BY-PASS PIPING	2		KOD SHOP	
A5	STRAINER			NONE	
B1	STEAM PRV			NONE	
B2	STEAM CONTROLLER			NONE	
B3	BYPASS VALVES			NONE	
B4	STEAM PRV BY-PASS PIPING			NONE	
B5	1 STRAINER	3		MUELLER	752
C1	RELIEF VALVE			NONE	
C2	RELIEF VALVE PIPING			NONE	
D1	THERMOWELL			NONE	
E1	PRESSURE GAUGE			NONE	
E2	SIPHON & COCK			NONE	
E3	PRESSURE TRANS			NONE	
F1	VENT VALVE			NONE	
F2	1 ORIFICE PLATES		#N/A		
F3	BYPASS VALVES			NONE	
F4	VENT PIPING			NONE	
G1	1 MW SPARE GASKETS			NONE	
H1	VACUUM BREAKER			NONE	
M1	BFP RECIRC SHUTTOFF				
M2	BFP RECIRC CHECK				
M3	BFP ORIFICE /VALVE				
M4	BFP PIPING			NONE	
M5	BFP PRESSURE GAUGE				
M6	2 BOILER FEED PUMPS	4		GRUNDFOS	CR60-50U
N1	2 ISOLATION VALVE	4		NIBCO	F817.0
N2	2 STRAINER	4		MUELLER	758
N3	2 PIPING	4		KOD SHOP	
N4	2 EXPANSION JOINT	4			
N5	BFP DISC PRESSURE GAUGE				
N6	BFP DISC CHECK				
N7	BFP DISC ISOLATION				
N8	0 CHEMICAL FEED QUILL			NONE	
P	1 MW SPARE GASKETS				
Q1	OVERFLOW VALVE			NONE	
Q2	CONTROL VALVE			NONE	
Q3	OVERFLOW PIPING			NONE	
R1	LEVEL SWITCHES	1 1/2		NONE	T-111
R2	LEVEL SWITCH BRIDLE PIPING	1 1/2		NIBCO	T-111
S1	1 GAUGE GLASS			NONE	
S2	1 GAUGE GLASS BRIDLE PIPING	1 1/2		NIBCO	T-111
T1					
2	CONTROL PANEL				
	STARTERS		NONE		
1	PUMP STAND		14.2		

NOTE:
 CUSTOMER TO FIELD ALIGN PUMPS
 AND MOTORS, THEN SEND KCD
 CERTIFICATION PAPERS.

KANSAS CITY DEAFERATOR CO.
 6731 W. 121st STREET
 OVERLAND PARK, KANSAS 66209
 (913) 338-2111 FAX (913) 338-2144

CLIENT: _____
 JOB # _____ SCALE _____ DESIGNED _____ DRAWN _____ CHECKED _____ DATE _____ UTD _____
 STD _____ NTS _____ MK _____ GENI _____ PC _____ DATE _____ UTD _____
 TITLE: **GENERAL ARRANGEMENT PACKAGE - TCP4508**
 MODEL: TCP71
 DWG. NO.: **TCP071-4508-cr16-80**