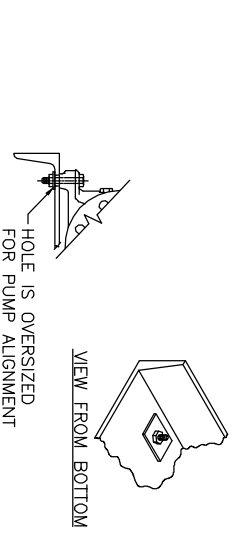
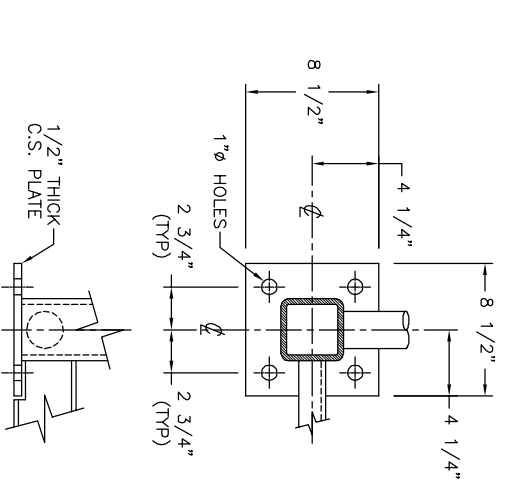
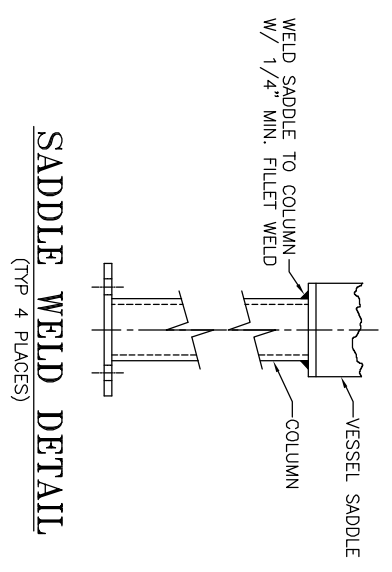
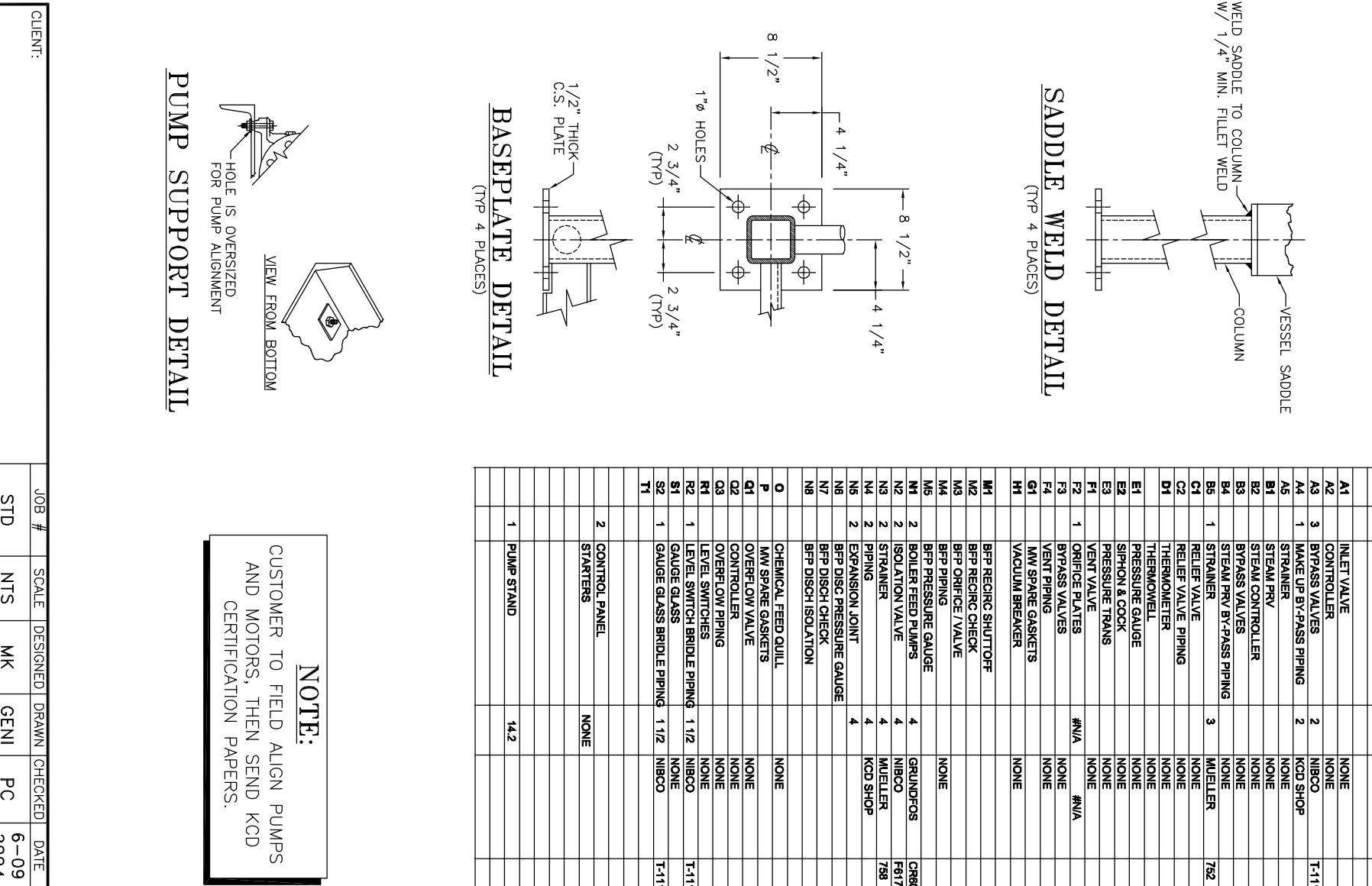
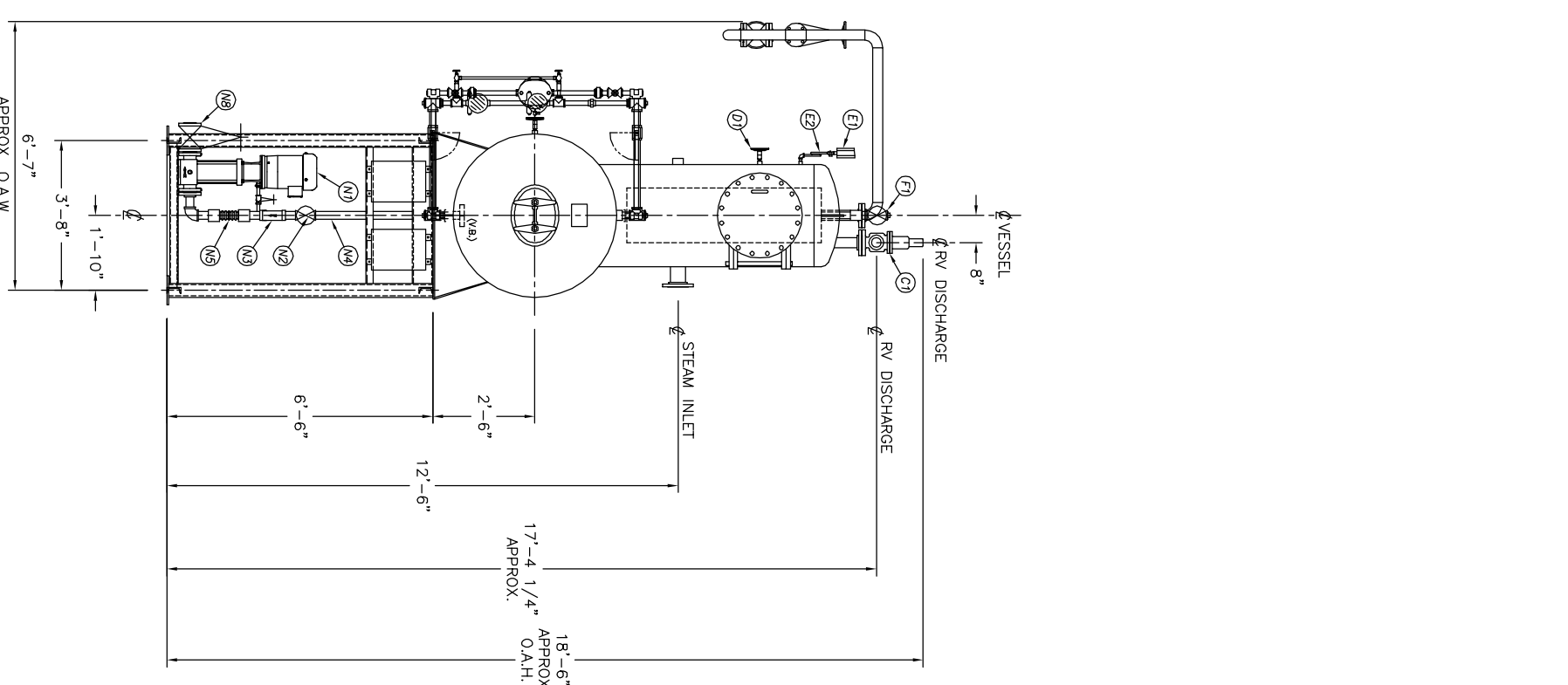
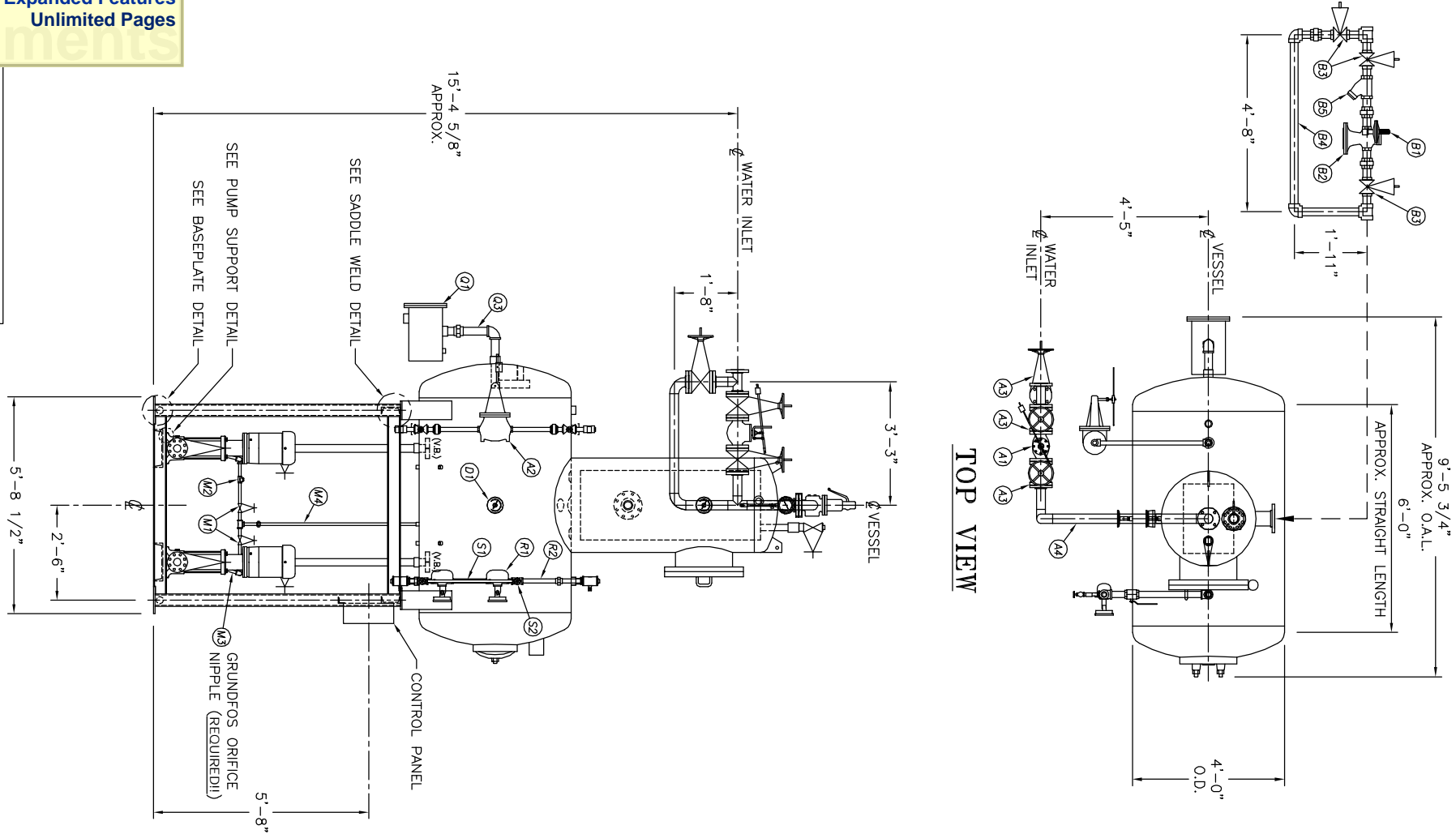


ALL INFORMATION FURNISHED FOR USE BY THE CLIENT IS THE PROPERTY OF KANSAS CITY DEAERATOR CO. AND SHALL BE FURNISHED TO ANY PARTY WITHOUT THE WRITTEN CONSENT OF KANSAS CITY DEAERATOR CO., LAND PARK, KANSAS 66209.

NO.	DATE	DESCRIPTION OF CHANGE	BY
-	-	-	-
-	-	-	-
-	-	-	-



**NOTE:**  
 CUSTOMER TO FIELD ALIGN PUMPS AND MOTORS, THEN SEND KCD CERTIFICATION PAPERS.

A1	INLET VALVE	NONE	NONE
A2	CONTROL VALVE	NONE	NONE
A3	3 BYPASS VALVES	2	NIBCO
A4	1 MAKE UP BY-PASS PIPING	2	KCD SHOP
A5	1 STRAINER	NONE	NONE
B1	STEAM PRV	NONE	NONE
B2	STEAM CONTROLLER	NONE	NONE
B3	STEAM VALVES	NONE	NONE
B4	STEAM PRV BY-PASS PIPING	NONE	NONE
B5	1 STRAINER	3	MUELLER
C1	RELIEF VALVE	NONE	NONE
C2	RELIEF VALVE PIPING	NONE	NONE
D1	THERMOWELL	NONE	NONE
E1	PRESSURE GAUGE	NONE	NONE
E2	SIPHON & COCK	NONE	NONE
E3	PRESSURE TRANS	NONE	NONE
F1	VENT VALVE	NONE	NONE
F2	1 ORIFICE PLATES	#N/A	#N/A
F3	2 BYPASS VALVES	NONE	NONE
F4	VENT PIPING	NONE	NONE
G1	1 MW SPARE GASKETS	NONE	NONE
H1	VACUUM BREAKER	NONE	NONE
M1	BFP RECIRC SHUTTOFF	NONE	NONE
M2	BFP RECIRC CHECK	NONE	NONE
M3	BFP ORIFICE / VALVE	NONE	NONE
M4	BFP PIPING	NONE	NONE
M5	BFP PRESSURE GAUGE	4	GRUNDFOS
M6	2 BOILER FEED PUMPS	4	NIBCO
N1	2 ISOLATION VALVE	4	MUELLER
N2	2 STRAINER	4	KCD SHOP
N3	2 PIPING	4	NONE
N4	2 EXPANSION JOINT	4	NONE
N5	BFP DISC PRESSURE GAUGE	NONE	NONE
N6	BFP DISC CHECK	NONE	NONE
N7	BFP DISCH ISOLATION	NONE	NONE
N8	BFP DISCH ISOLATION	NONE	NONE
O	CHEMICAL FEED QUILL	NONE	NONE
P	1 MW SPARE GASKETS	NONE	NONE
Q1	OVERFLOW VALVE	NONE	NONE
Q2	CONTROL VALVE	NONE	NONE
Q3	OVERFLOW PIPING	NONE	NONE
R1	LEVEL SWITCHES	1 1/2	T-111
R2	LEVEL SWITCH BRIDLE PIPING	1 1/2	NIBCO
S1	1 GAUGE GLASS	NONE	NONE
S2	1 GAUGE GLASS BRIDLE PIPING	1 1/2	T-111
T1	CONTROL PANEL	NONE	NONE
2	STARTERS	NONE	NONE
1	PUMP STAND	14.2	NONE

**KANSAS CITY DEAERATOR CO.**  
 6731 W. 121st STREET  
 OVERLAND PARK, KANSAS 66209  
 (913) 338-2111 FAX (913) 338-2144

CLIENT: \_\_\_\_\_  
 JOB # \_\_\_\_\_ SCALE \_\_\_\_\_ DESIGNED \_\_\_\_\_ DRAWN \_\_\_\_\_ CHECKED \_\_\_\_\_ DATE \_\_\_\_\_  
 STD \_\_\_\_\_ NTS \_\_\_\_\_ MK \_\_\_\_\_ GENI \_\_\_\_\_ PC \_\_\_\_\_ 6-09 6-09  
 2004 2004  
 TITLE: GENERAL ARRANGEMENT  
 PACKAGE - TCP4006  
 MODEL: TCP32  
 DWG. NO.: TCP032-4006-cr16-60