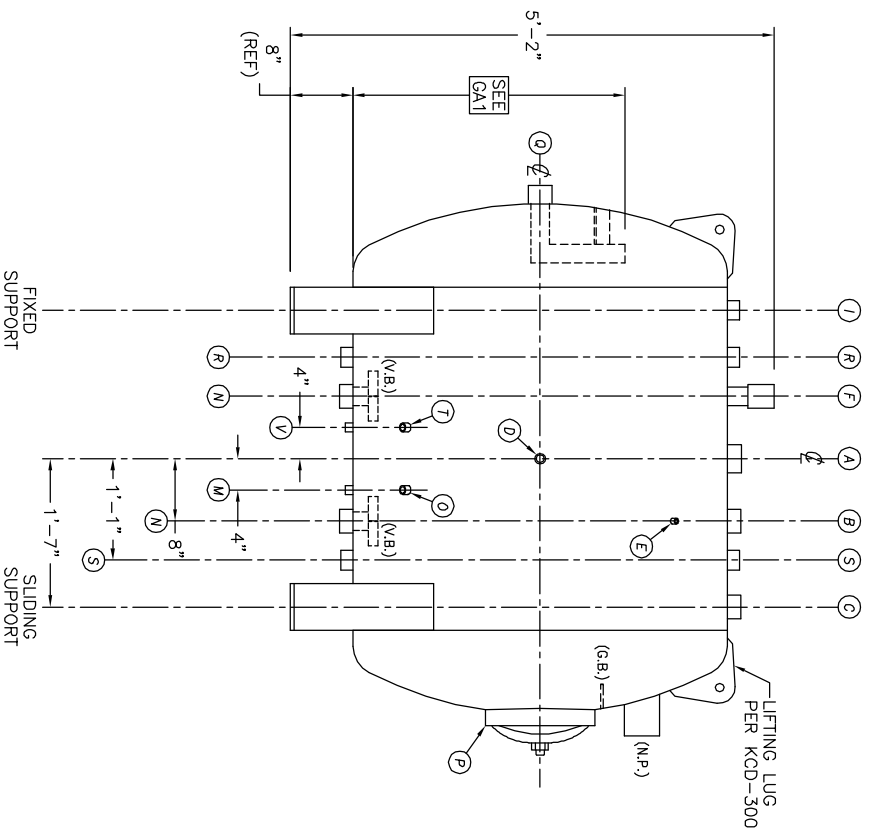
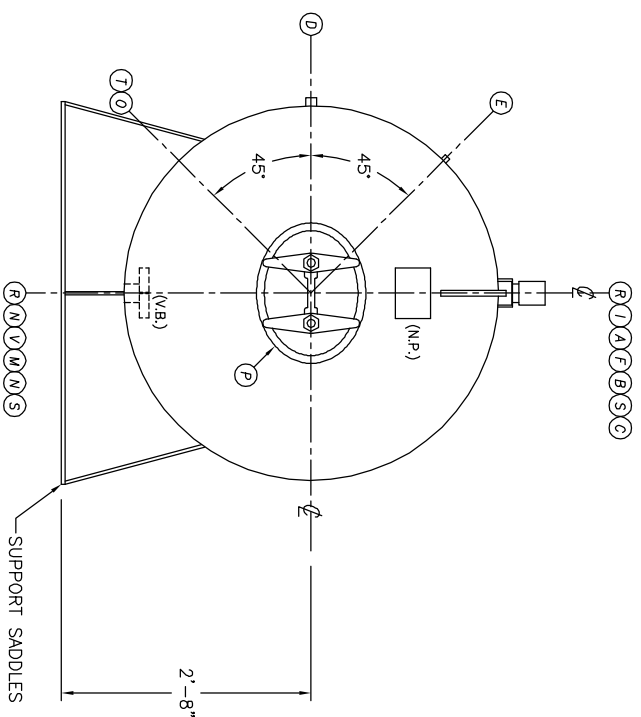


TOP VIEW



FRONT VIEW



END VIEW

- NOTES:**
- SEE CONNECTION SCHEDULE FOR NOZZLE DESCRIPTIONS.
 - STRAIGHT LENGTHS ARE APPROXIMATE. OVERALL LENGTH (OAL) IS TO BE HELD.
 - FOR MISCELLANEOUS DETAILS SEE MD DRAWINGS
 - DIMENSIONS ARE GIVEN FROM CENTER LINE OF TANKS TO NOZZLE CENTER LINE OR OUTSIDE FACE OF FLANGE.
 - G.B. = GRAB BAR
V.B. = VORTEX BREAKER
N.P. = NAME PLATE
F.S. = FAR SIDE
D.S. = DRIP SHIELD
N.S. = NEAR SIDE
T.B. = TEE BATTLE
CL = CENTER LINE

NOTE:
PUMP SUCTION NOZZLES
WILL BE ADDED TO MATCH
ANY PUMPS SUPPLIED BY KCD

UMENT AND THE INFORMATION IT
HAVE BEEN FURNISHED FOR USE
BY OWN ORGANIZATION ONLY AND
NOT BE LOANED, REPRODUCED,
COPIED, OR TRANSMITTED IN ANY
MANNER OR BY ANY MEANS, ELECTRONIC
OR MECHANICAL, INCLUDING PHOTOCOPYING,
RECORDING, OR BY ANY INFORMATION
SYSTEMS. THE USER SHALL BE RESPONSIBLE
FOR OBTAINING ALL NECESSARY
PERMITS AND APPROVALS FROM THE
APPLICABLE AGENCIES AND
AUTHORITIES. THE USER SHALL BE
RESPONSIBLE FOR OBTAINING ALL
NECESSARY PERMITS AND APPROVALS
FROM THE APPLICABLE AGENCIES
AND AUTHORITIES. THE USER SHALL
BE RESPONSIBLE FOR OBTAINING ALL
NECESSARY PERMITS AND APPROVALS
FROM THE APPLICABLE AGENCIES
AND AUTHORITIES.

NO.	DATE	DESCRIPTION OF CHANGE
-	-	-
-	-	-
-	-	-

NO.	DATE	DESCRIPTION OF CHANGE
-	-	-
-	-	-
-	-	-

CLIENT:		KANSAS CITY DEAERATOR CO.	
6731 W. 121st STREET OVERLAND PARK, KANSAS 66209 (913) 338-2111 FAX (913) 338-2144			
JOB #	SCALE	DESIGNED	DRAWN
STD	NTS	MK	GENI
		PC	2003
TITLE:		GENERAL ARRANGEMENT	
MODEL: HS4004			
DWG. NO.:	DATE	DATE	UTD
HS4004	6-11	6-11	2003