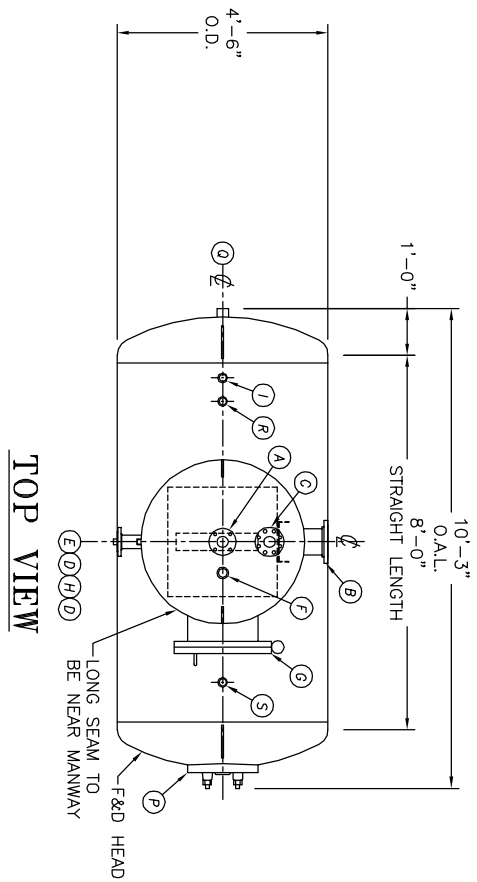
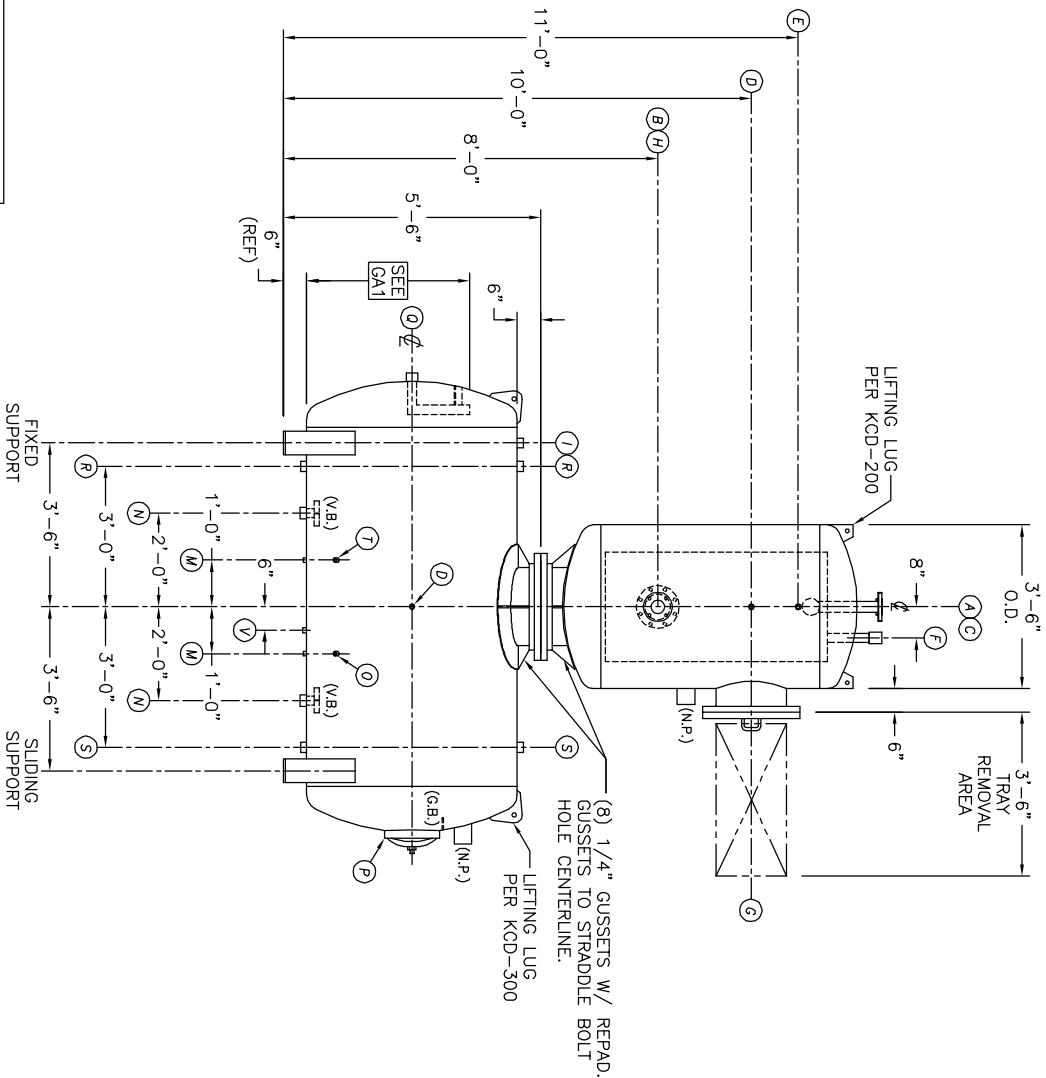


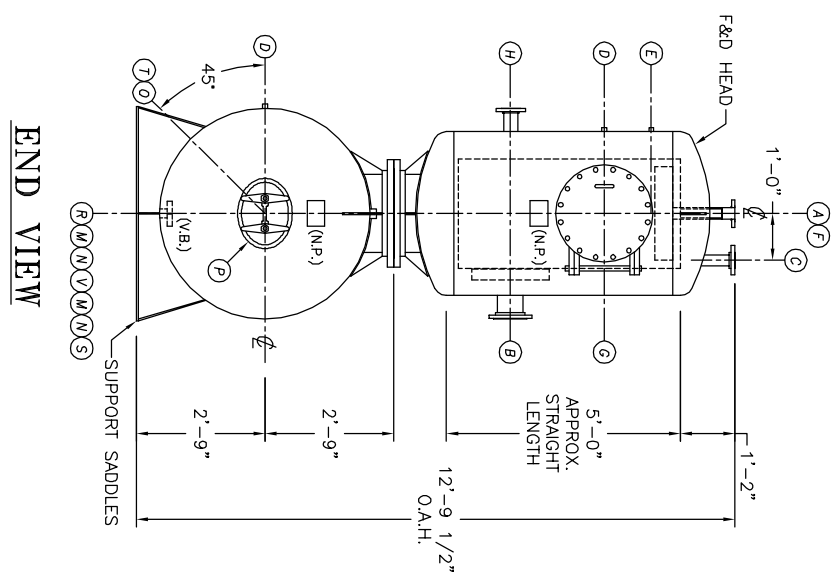
UMENT AND THE INFORMATION IT
HAVE BEEN FURNISHED FOR USE
BY OWN ORGANIZATION ONLY AND
NOT BE REPRODUCED OR TRANSMITTED
IN ANY FORM OR BY ANY MEANS
ELECTRONIC OR MECHANICAL,
INCLUDING PHOTOCOPYING, RECORDING,
OR BY ANY INFORMATION STORAGE
AND RETRIEVAL SYSTEM, WITHOUT
THE WRITTEN PERMISSION OF
KANSAS CITY DEARATOR CO.,
KANSAS CITY, KANSAS 66209



TOP VIEW



FRONT VIEW



END VIEW

- NOTES:**
- SEE CONNECTION SCHEDULE FOR NOZZLE DESCRIPTIONS.
 - STRAIGHT LENGTHS ARE APPROXIMATE. OVERALL LENGTH (OAL) IS TO BE HELD.
 - FOR MISCELLANEOUS DETAILS SEE MD DRAWINGS
 - DIMENSIONS ARE GIVEN FROM CENTER LINE OF TANKS TO NOZZLE CENTER LINE OR OUTSIDE FACE OF FLANGE.
 - G.B. = GRAB BAR
V.B. = VORTEX BREAKER
N.P. = NAME PLATE
F.S. = FAR SIDE
D.S. = DRIP SHIELD
N.S. = NEAR SIDE
T.B. = TEE BARFLE
CL = CENTER LINE

NOTE:
PUMP SUCTION NOZZLES
WILL BE ADDED TO MATCH
ANY PUMPS SUPPLIED BY KCD

NO.	DATE	DESCRIPTION OF CHANGE
-	-	-
-	-	-
-	-	-
-	-	-

CLIENT:
KANSAS CITY DEARATOR CO.
6731 W. 121st STREET
OVERLAND PARK, KANSAS 66209
(913) 338-2111 FAX (913) 338-2144

JOB #	SCALE	DESIGNED	DRAWN	CHECKED	DATE	UTD
STD	NTS	MK	GENI	PC	6-08 2004	6-08 2004

TITLE: **GENERAL ARRANGEMENT**

MODEL: **BDSP71-4508**

DWG. NO.: **BDSP71-4508**