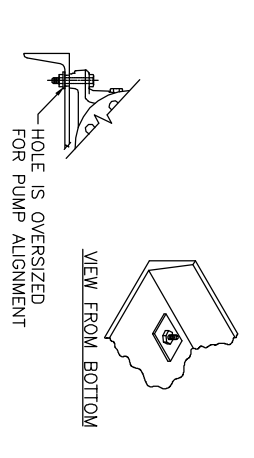
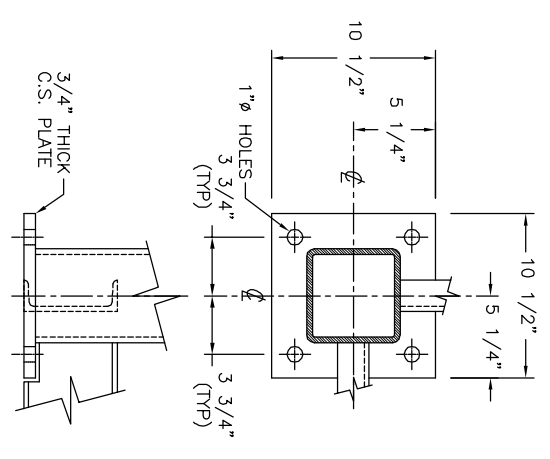
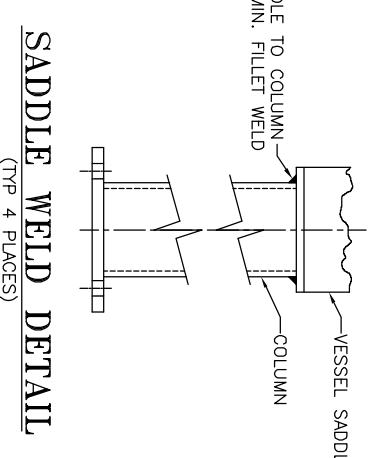
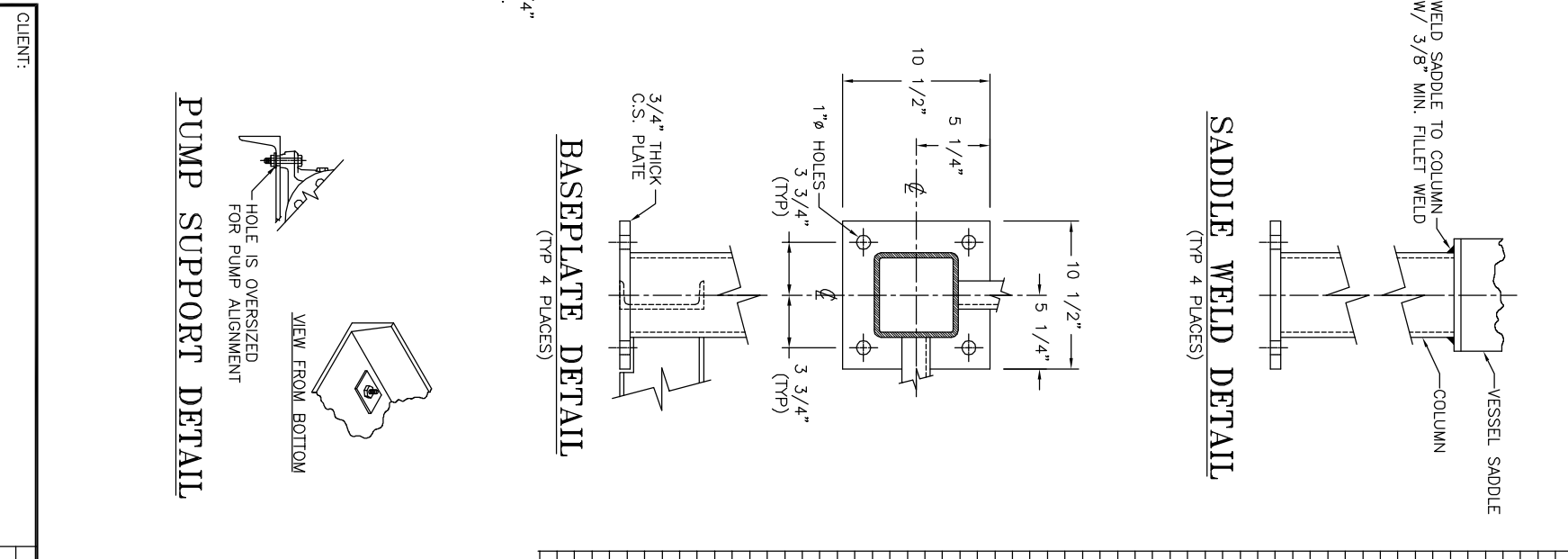
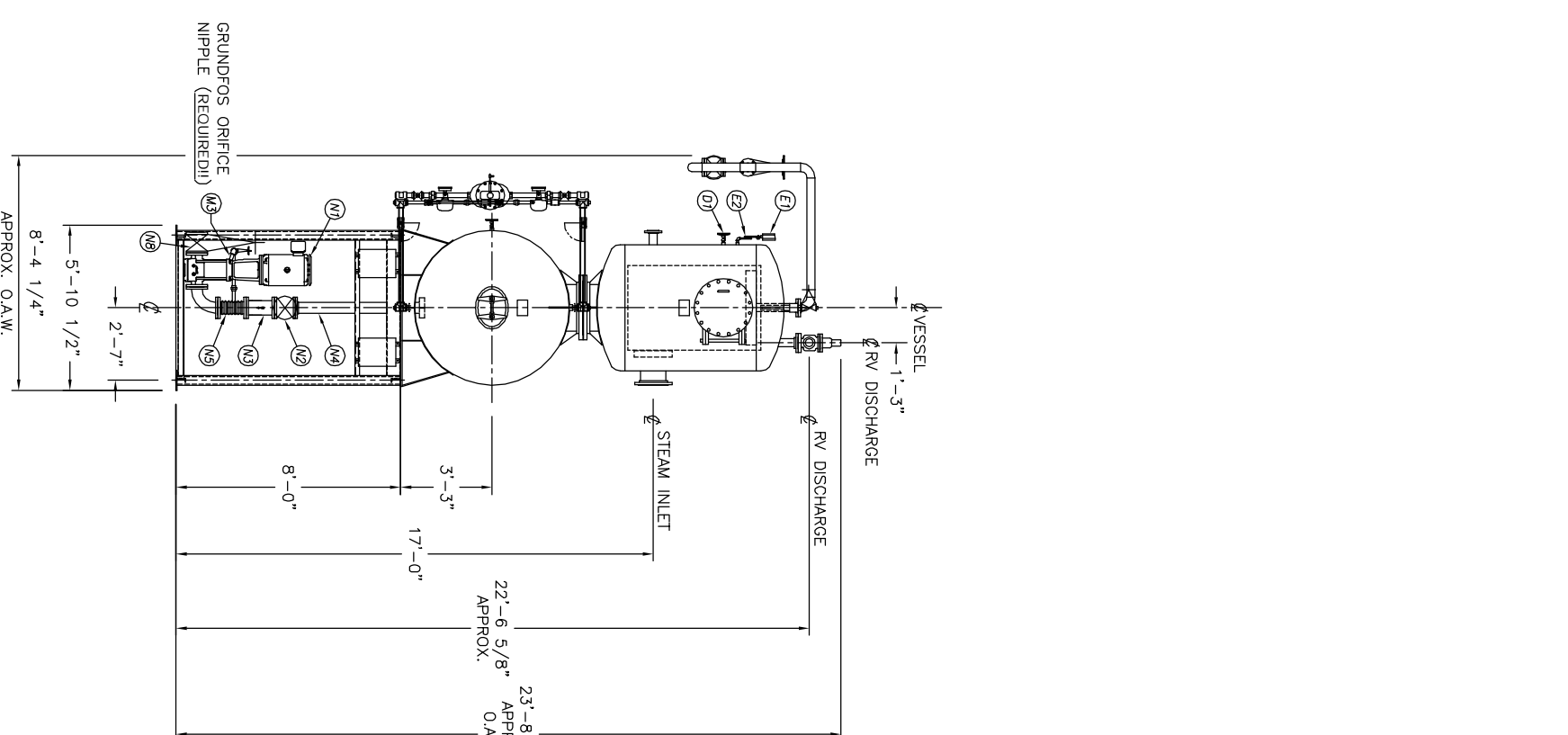
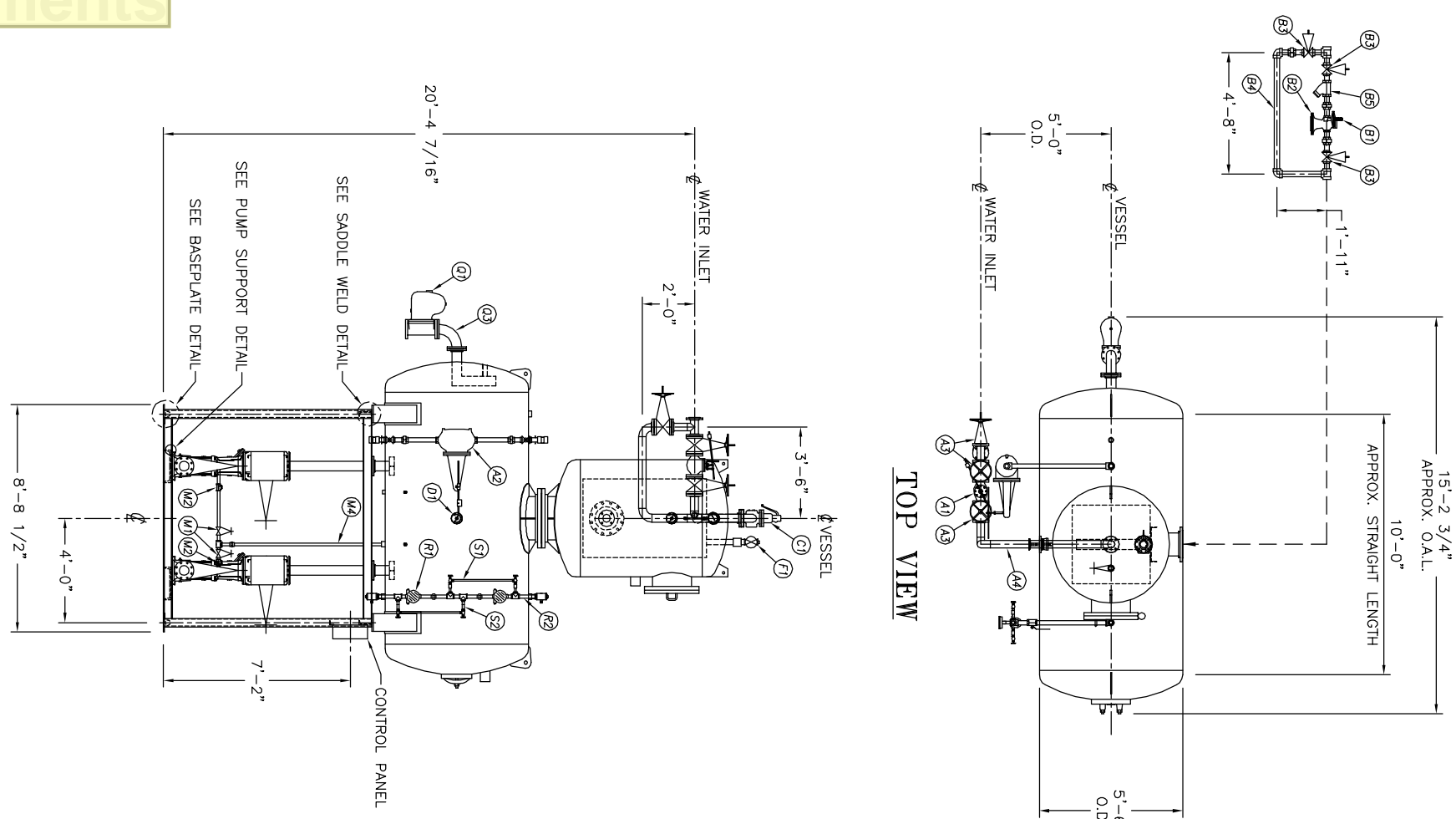


ALL INFORMATION CONTAINED HEREIN IS THE PROPERTY OF KANSAS CITY DEAERATOR CO. AND IS NOT TO BE REPRODUCED OR TRANSMITTED IN ANY FORM OR BY ANY MEANS, ELECTRONIC OR MECHANICAL, INCLUDING PHOTOCOPYING, RECORDING, OR BY ANY INFORMATION STORAGE AND RETRIEVAL SYSTEM.

NO.	DATE	DESCRIPTION OF CHANGE	BY



A1	INLET VALVE			NONE	
A2	CONTROL VALVE			NONE	
A3	3 BYPASS VALVES	2		NIBCO	T-111
A4	1 MAKE UP BY-PASS PIPING	2		KOD SHOP	
A5	1 STRAINER			NONE	
B1	STEAM PRV			NONE	
B2	STEAM CONTROLLER			NONE	
B3	BYPASS VALVES			NONE	
B4	STEAM PRV BY-PASS PIPING	3		NONE	
B5	1 STRAINER			MUELLER	752
C1	RELIEF VALVE			NONE	
C2	RELIEF VALVE PIPING			NONE	
D1	THERMOWELL			NONE	
E1	PRESSURE GAUGE			NONE	
E2	SIPHON & COCK			NONE	
E3	PRESSURE TRANS			NONE	
F1	VENT VALVE			NONE	
F2	1 ORIFICE PLATES	#N/A		#N/A	
F3	BYPASS VALVES			NONE	
F4	VENT PIPING			NONE	
G1	1 MW SPARE GASKETS			NONE	
H1	VACUUM BREAKER			NONE	
M1	BFP RECIRC SHUTTOFF				
M2	BFP RECIRC CHECK				
M3	BFP ORIFICE / VALVE				
M4	BFP PIPING			NONE	
M5	BFP PRESSURE GAUGE	4		GRUNDFOSS	CR60-50U
M1	2 BOILER FEED PUMPS	4		NIBCO	FS17.0
N2	2 ISOLATION VALVE	4		MUELLER	758
N3	2 STRAINER	4		KOD SHOP	
N4	2 PIPING	4			
N5	2 EXPANSION JOINT	4			
N6	BFP DISC PRESSURE GAUGE				
N7	BFP DISC CHECK				
N8	BFP DISCH ISOLATION				
O	CHEMICAL FEED QUILL			NONE	
P	1 MW SPARE GASKETS				
Q1	OVERFLOW VALVE			NONE	
Q2	CONTROL VALVE			NONE	
Q3	OVERFLOW PIPING			NONE	
R1	LEVEL SWITCH	1		NONE	
R2	LEVEL SWITCH BRIDLE PIPING	1 1/2		NIBCO	T-111
S1	1 GAUGE GLASS			NONE	
S2	1 GAUGE GLASS BRIDLE PIPING	1 1/2		NIBCO	T-111
T1					
2	CONTROL PANEL				
	STARTERS			NONE	
1	PUMP STAND		14.2		

**NOTE:**  
 CUSTOMER TO FIELD ALIGN PUMPS AND MOTORS, THEN SEND KOD CERTIFICATION PAPERS.

CLIENT: **KANSAS CITY DEAERATOR CO.**  
 6731 W. 121st STREET  
 OVERLAND PARK, KANSAS 66209  
 (913) 338-2111 FAX (913) 338-2144

JOB # \_\_\_\_\_ SCALE DESIGNED DRAWN CHECKED DATE UTD  
 STD NTS MK GENI PC 6-16 6-16  
 2004 2004  
 TITLE: **GENERAL ARRANGEMENT PACKAGE - BDSPP5510**  
 MODEL: BDSPP122

DWG. NO.: **BDSPP122-5510-cr64-3**