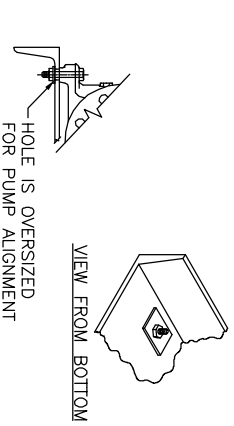
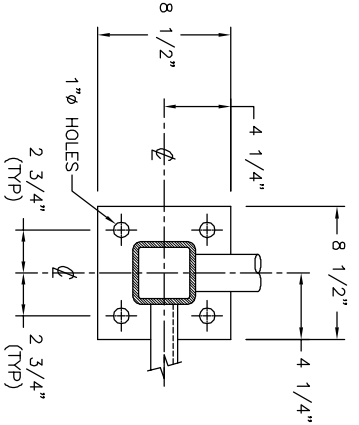
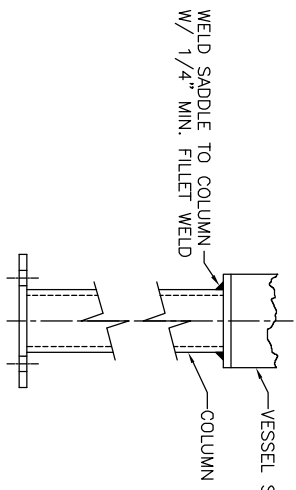
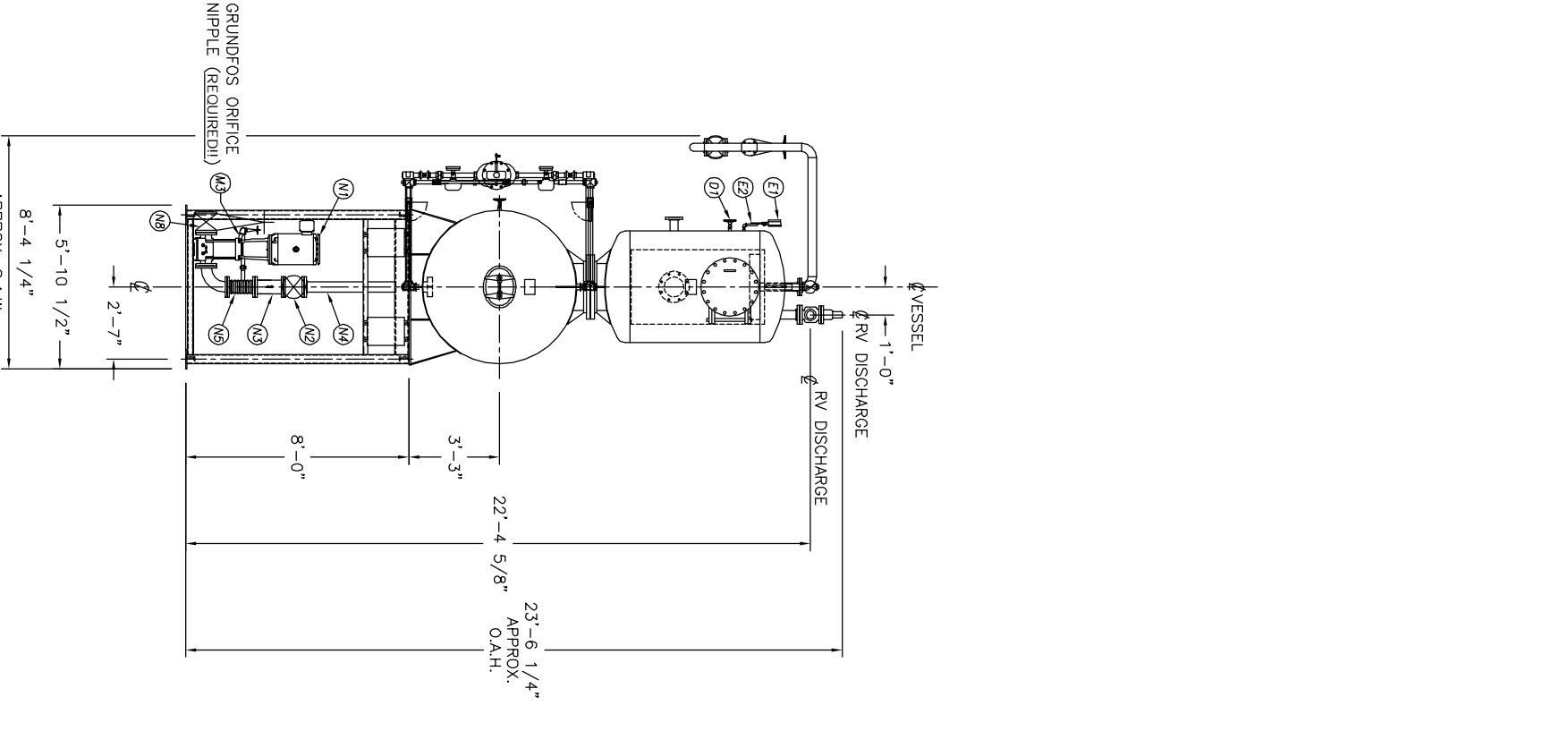
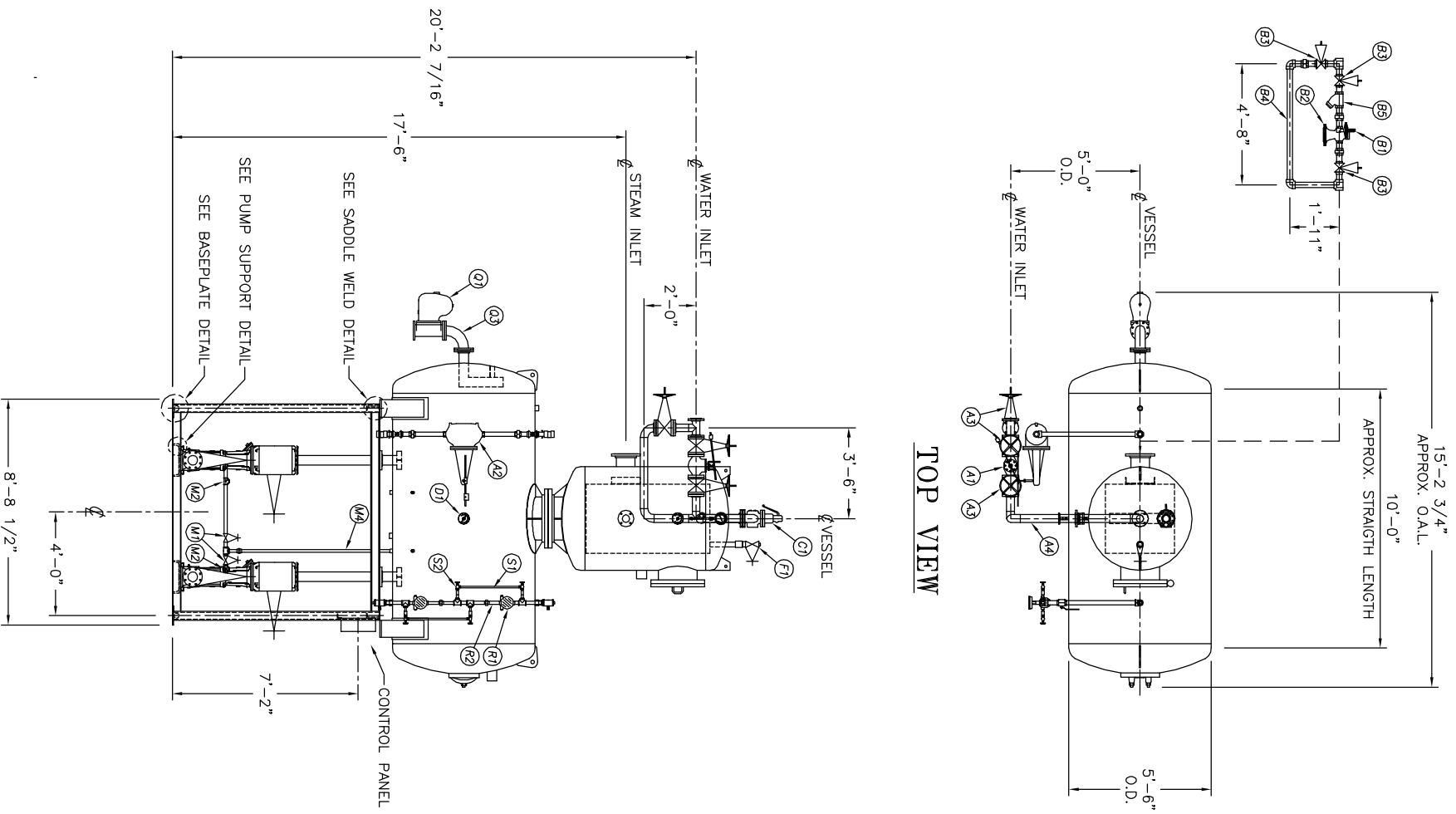


INFORMATION IT
HAVE BEEN FURNISHED FOR USE
OWN ORGANIZATION ONLY AND
PURPOSE CONSISTENT WITH THE
ON BETWEEN YOUR ORGANIZATION
AS CITY DEARATOR COMPANY.
PIES OF OR DATA FROM THIS
IT SHALL BE FURNISHED TO ANY
OF KANSAS CITY DEARATOR CO.,
LAND PARK, KANSAS 66209

NO.	DATE	DESCRIPTION OF CHANGE	BY
-	-	-	-
-	-	-	-
-	-	-	-



A1	INLET VALVE	NONE	
A2	CONTROL VALVE	NONE	
A3	BYPASS VALVES	NIBCO	T-111
A4	1 MAKE UP BY-PASS PIPING	KOD SHOP	
A5	1 STRAINER	NONE	
B1	STEAM CONTROL VALVE	NONE	
B2	STEAM BY-PASS VALVES	NONE	
B3	STEAM BY-PASS VALVES	NONE	
B4	1 STRAINER	MUELLER	782
C1	RELIEF VALVE	NONE	
C2	RELIEF VALVE PIPING	NONE	
D1	THERMOWELL	NONE	
E1	PRESSURE GAUGE	NONE	
E2	SIPHON & COCK	NONE	
E3	PRESSURE TRANS	NONE	
F1	VENT VALVE	NONE	
F2	1 ORIFICE PLATES	#N/A	
F3	BYPASS VALVES	NONE	
F4	VENT PIPING	NONE	
G1	1 MW SPARE GASKETS	NONE	
H1	VACUUM BREAKER	NONE	
M1	BFP RECIRC SHUTTOFF		
M2	BFP RECIRC CHECK		
M3	BFP ORIFICE / VALVE		
M4	BFP PIPING	NONE	
M5	BFP PRESSURE GAUGE		
M6	BFP PRESSURE GAUGE	GRUNDFOS	CR60-50U
M7	2 BOILER FEED PUMPS	NIBCO	F817.0
N1	2 ISOLATION VALVE	MUELLER	788
N2	2 STRAINER	4	
N3	2 PIPING	4	
N4	2 EXPANSION JOINT	4	
N5	2 BFP DISC PRESSURE GAUGE		
N6	BFP DISC CHECK		
N7	BFP DISC ISOLATION		
N8	BFP DISCH ISOLATION		
O	CHEMICAL FEED QUILL	NONE	
P	1 MW SPARE GASKETS		
Q1	OVERFLOW VALVE	NONE	
Q2	CONTROL VALVE	NONE	
Q3	OVERFLOW PIPING	NONE	
R1	LEVEL SWITCHES	NONE	
R2	LEVEL SWITCH BRIDLE PIPING	NONE	T-111
S1	1 GAUGE GLASS	NONE	
S2	1 GAUGE GLASS BRIDLE PIPING	NONE	T-111
T1			
2	CONTROL PANEL STARTERS	NONE	
1	PUMP STAND	14.2	

NOTE:
CUSTOMER TO FIELD ALIGN PUMPS AND MOTORS, THEN SEND KCD CERTIFICATION PAPERS.

CLIENT: **KANSAS CITY DEARATOR CO.**
6731 W. 121st STREET
OVERLAND PARK, KANSAS 66209
(913) 338-2111 FAX (913) 338-2144

DWG. NO.: **BDSP093-5510-cr64-3**

JOB #	SCALE	DESIGNED	DRAWN	CHECKED	DATE	UTD
STD	NTS	MK	GENI	PC	06-10-2004	06-10-2004

TITLE: **GENERAL ARRANGEMENT PACKAGE - BDSPP5510**

MODEL: BDSPP3