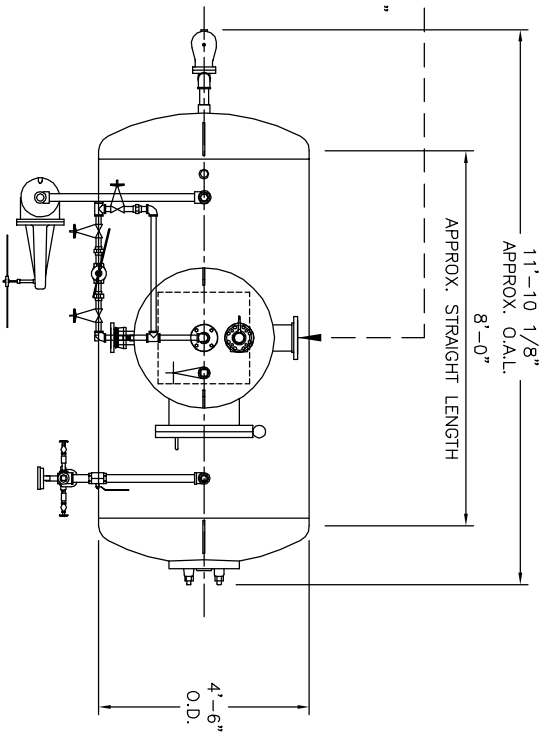
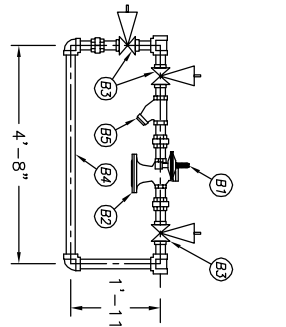
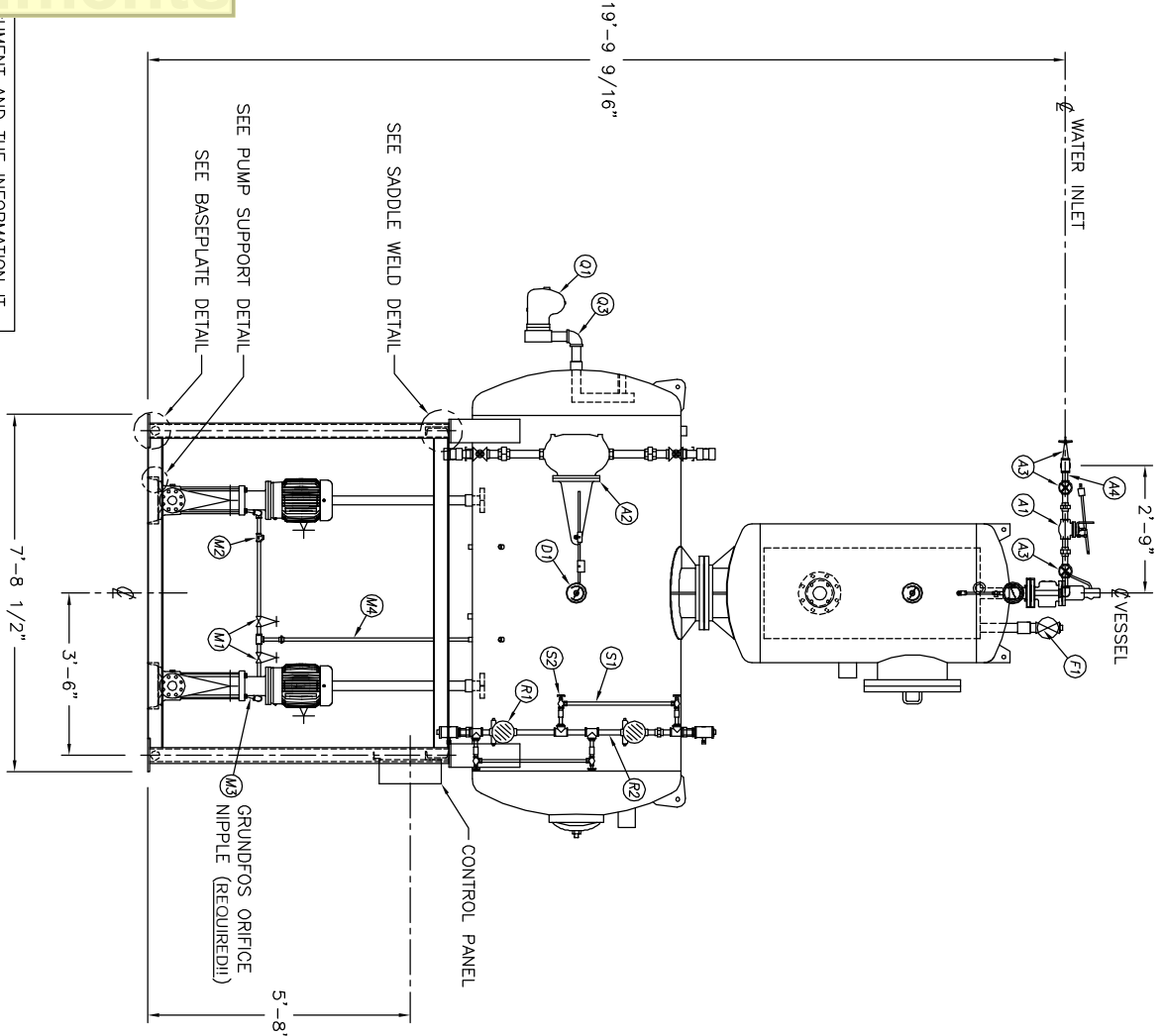


UMENT AND THE INFORMATION IT
HAVE BEEN FURNISHED FOR USE
BY OWN ORGANIZATION ONLY AND
NOT BE REPRODUCED OR TRANSMITTED
IN ANY FORM OR BY ANY MEANS
ELECTRONIC OR MECHANICAL,
INCLUDING PHOTOCOPYING, RECORDING,
OR BY ANY INFORMATION STORAGE
AND RETRIEVAL SYSTEM, WITHOUT
THE WRITTEN PERMISSION OF
KANSAS CITY DEAERATOR CO.,
1211 OVERLAND PARK, KANSAS 66209

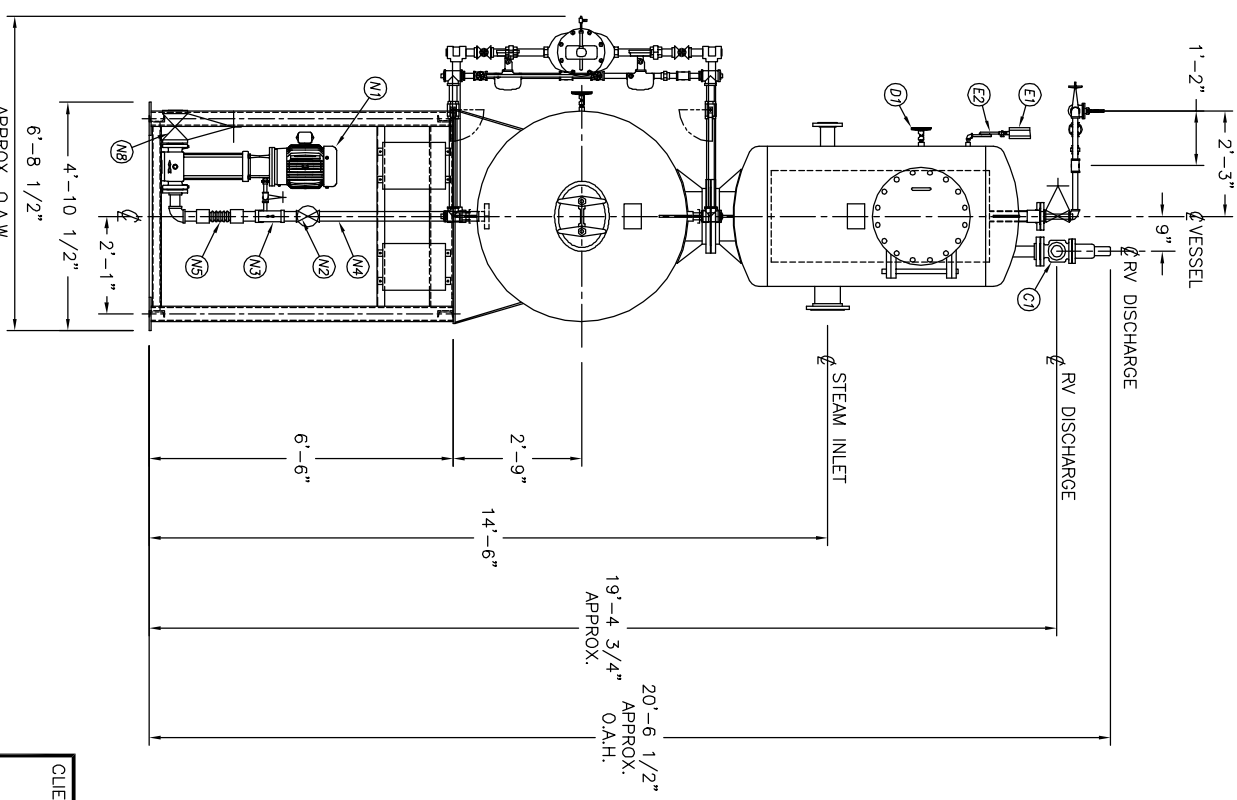
NO.	DATE	DESCRIPTION OF CHANGE	BY
-	-	-	-
-	-	-	-
-	-	-	-



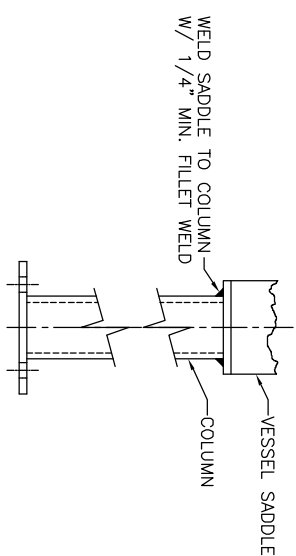
TOP VIEW



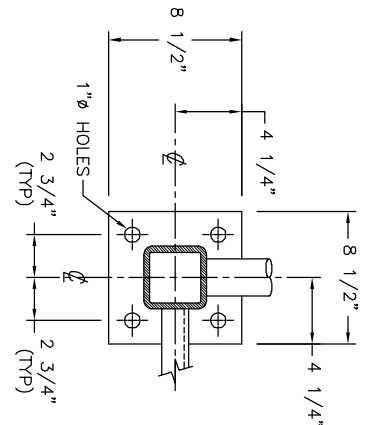
FRONT VIEW



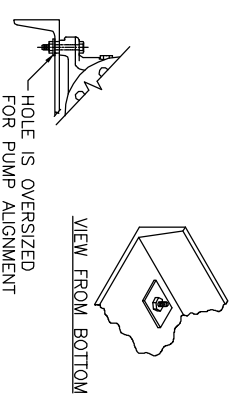
END VIEW



SADDLE WELD DETAIL
(TYP 4 PLACES)




BASEPLATE DETAIL
(TYP 4 PLACES)



PUMP SUPPORT DETAIL

A1	INLET VALVE	NONE	
A2	CONTROLLER	NONE	
A3	3 BYPASS VALVES	NIBCO	T-111
A4	1 MAKE UP BY-PASS PIPING	KOD SHOP	
A5	STRAINER	NONE	
B1	STEAM PRV	NONE	
B2	STEAM CONTROLLER	NONE	
B3	BYPASS VALVES	NONE	
B4	STEAM PRV BY-PASS PIPING	NONE	
B5	1 STRAINER	MUELLER	782
C1	RELIEF VALVE	NONE	
C2	RELIEF VALVE PIPING	NONE	
D1	THERMOWELL	NONE	
E1	PRESSURE GAUGE	NONE	
E2	SIPHON & COCK	NONE	
E3	PRESSURE TRANS	NONE	
F1	VENT VALVE	NONE	
F2	1 ORIFICE PLATES	#N/A	
F3	BYPASS VALVES	NONE	
F4	VENT PIPING	NONE	
G1	1 MW SPARE GASKETS	NONE	
H1	VACUUM BREAKER	NONE	
M1	BFP RECIRC SHUTTOFF		
M2	BFP RECIRC CHECK		
M3	BFP ORIFICE / VALVE		
M4	BFP PIPING	NONE	
M5	BFP PRESSURE GAUGE		
M6	BFP PRESSURE GAUGE	GRUNDFOS	CR60-50U
M7	2 BOILER FEED PUMPS	NIBCO	FS17.0
N2	2 ISOLATION VALVE	4	MUELLER
N3	2 STRAINER	4	788
N4	2 PIPING	4	KOD SHOP
N5	2 EXPANSION JOINT	4	
N6	BFP DISC PRESSURE GAUGE		
N7	BFP DISC CHECK		
N8	BFP DISCH ISOLATION		
O	CHEMICAL FEED QUILL	NONE	
P	1 MW SPARE GASKETS		
Q1	OVERFLOW VALVE	NONE	
Q2	CONTROLLER	NONE	
Q3	OVERFLOW PIPING	NONE	
R1	LEVEL SWITCHES	NONE	
R2	LEVEL SWITCH BRIDLE PIPING	1 1/2	T-111
S1	1 GAUGE GLASS	NONE	
S2	1 GAUGE GLASS BRIDLE PIPING	1 1/2	T-111
T1			
2	CONTROL PANEL	NONE	
	STARTERS		
1	PUMP STAND	14.2	

NOTE:
CUSTOMER TO FIELD ALIGN PUMPS
AND MOTORS, THEN SEND KCD
CERTIFICATION PAPERS.

CLIENT:  **KANSAS CITY DEAERATOR CO.**
6731 W. 121st STREET
OVERLAND PARK, KANSAS 66209
(913) 388-2111 FAX (913) 338-2144

DWG. NO.: **BDSP050-4508-cr16-80**

JOB #	SCALE	DESIGNED	DRAWN	CHECKED	DATE	UTD
STD	NTS	MK	GENI	PC	6-15 2004	6-15 2004

TITLE: **GENERAL ARRANGEMENT PACKAGE - BDSPP4508**

MODEL: BDSPP50